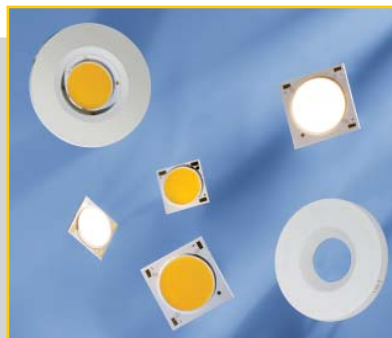


LED MODULES

LUGA SHOP GEN. 6
1000 LM TO 15,000 LM



LUGA SHOP GEN. 6 – RETAIL AND INDUSTRIAL LIGHTING

Typical Applications

DMS124***H

- Integration in reflector luminaires
- Residential lighting
- Furniture lighting

DMS125/126/128***H

DMS120/12C***H

- Integration in reflector luminaires
- Retail lighting
- Downlights

DMS18B***H

- Integration in outdoor and street luminaires
- Industrial lighting for:
 - Production halls
 - Warehouses
- Petrol station lighting
- Lighting for sports facilities

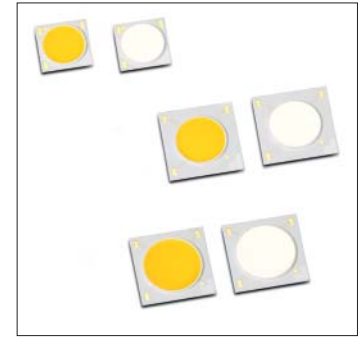
LUGA Shop Gen. 6

- **LONG SERVICE LIFETIME: UP TO 100,000 HOURS**
- **NARROW COLOUR TOLERANCES:
2 STEP MACADAM (CRI 85/95)**
- **HIGHLY EFFICIENT: UP TO 190 LM/W**
- **HIGH ELECTRICAL ISOLATION DUE TO
CERAMIC COB TECHNOLOGY**
- **SPECIAL COLOURS:
FOOD, PEARL WHITE AND CLEAR WHITE**
- **READY-TO-ASSEMBLE VARIANT:
MODULE + TIM + HOLDER AS ONE UNIT**

LUGA Shop Gen. 6 – up to 2000 lm

Technical Notes

- LED module for integration into luminaires
- Dimensions: 13.5x13.5 mm
- Light emitting surface (LES): Ø 9 mm
- Use of external LED constant current driver



Electrical Characteristics

at $t_p = 65\text{ °C}$

| Type | Typ. voltage DC | | | Typ. power consumption | | |
|------------|-----------------|-------------|-------------|------------------------|-------------|-------------|
| | 250 mA V | 350 mA V | 500 mA V | 250 mA W | 350 mA W | 500 mA W |
| DMS124***H | 33.7 | 34.7 | 35.9 | 8.4 | 12.1 | 17.9 |

Voltage and power tolerance: $\pm 10\%$

Maximum Ratings

Exceeding the maximum ratings can lead to reduction of service life or destruction of the modules.

| Type | Operating current mA | Operation temperature range at t_c point | | Ambient temperature range | | Storage temperature range | | Max. allowed repetitive peak current mA |
|------------|-------------------------|--|-------------------------|---------------------------|-------------------------|---------------------------|-------------------------|--|
| | | $^{\circ}\text{C min.}$ | $^{\circ}\text{C max.}$ | $^{\circ}\text{C min.}$ | $^{\circ}\text{C max.}$ | $^{\circ}\text{C min.}$ | $^{\circ}\text{C max.}$ | |
| DMS124***H | 250 | -40 | +115 | -40 | +40 | -40 | +105 | 800 |
| | 350 | | +110 | | | | | |
| | 500 | | +105 | | | | | |

Operating Life

at $t_p = 65\text{ °C}$

| Lumen maintenance | 250 mA in hours | 350 mA in hours | 500 mA in hours |
|-------------------|---|--------------------|--------------------|
| | DMS124***H (at I_f) | | |
| L90/B10 | 88,000 | 83,000 | 77,000 |
| L80/B10 | > 100,000 | > 100,000 | > 100,000 |
| L70/B10 | > 100,000 | > 100,000 | > 100,000 |

The values contained in this data sheet can change due to technical innovations. Any such changes will be made without separate notification.

LUGA Shop Gen. 6 – up to 2500 lm

Optical Characteristics

at $t_p = 65\text{ °C}$

| Type | Ref. No. | Colour | Correlated colour temperature* K | Typ. luminous flux** and efficiency at | | | | | | Typ. beam angle ° | Typ. CRI R_a | Photo-metric code |
|------------|---------------|---------------|-------------------------------------|--|------|--------|------|--------|------|----------------------|-------------------|-------------------|
| | | | | 250 mA | | 350 mA | | 500 mA | | | | |
| | | | | lm | lm/W | lm | lm/W | lm | lm/W | | | |
| DMS124C27H | 564880 | warm white | 2700 | 1200 | 143 | 1630 | 135 | 2220 | 124 | 120 | 82 | 827/249 |
| DMS124C30H | 564881 | warm white | 3000 | 1300 | 155 | 1760 | 145 | 2395 | 134 | 120 | 85 | 830/249 |
| DMS124C40H | 564882 | neutral white | 4000 | 1345 | 160 | 1820 | 150 | 2480 | 139 | 120 | 85 | 840/249 |

* Colour tolerance: 2 MacAdam | ** Production tolerance of luminous flux and efficiency: $\pm 10\%$ | Min. CRI R_a : > 80

Minimum order quantity: 225 pcs.

LUGA Shop Gen. 6 – up to 2000 lm – HiCRI

Optical Characteristics

at $t_p = 65\text{ °C}$

| Type | Ref. No. | Colour | Correlated colour temperature* K | Typ. luminous flux** and efficiency at | | | | | | Typ. beam angle ° | Typ. CRI R_a | Photo-metric code |
|------------|---------------|---------------|-------------------------------------|--|------|--------|------|--------|------|----------------------|-------------------|-------------------|
| | | | | 250 mA | | 350 mA | | 500 mA | | | | |
| | | | | lm | lm/W | lm | lm/W | lm | lm/W | | | |
| DMS124S30H | 564883 | warm white | 3000 (below BBL) | 1015 | 121 | 1375 | 114 | 1875 | 105 | 120 | 95 | 930/249 |
| DMS124S40H | 564884 | neutral white | 4000 (below BBL) | 1120 | 133 | 1520 | 126 | 2065 | 115 | 120 | 95 | 940/249 |

* Colour tolerance: 2 MacAdam | ** Production tolerance of luminous flux and efficiency: $\pm 10\%$ | Min. CRI R_a : > 90

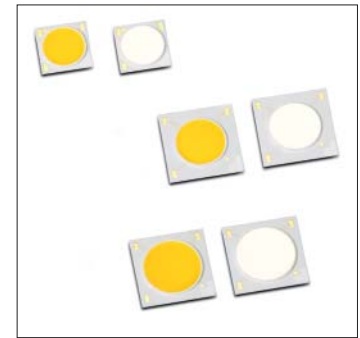
Minimum order quantity: 225 pcs.

The values contained in this data sheet can change due to technical innovations. Any such changes will be made without separate notification.

LUGA Shop Gen. 6 – up to 5000 lm

Technical Notes

- LED module for integration into luminaires
- Dimensions: 19x19 mm
- Light emitting surface (LES): Ø 14 mm
- Use of external LED constant current driver



Electrical Characteristics

at $t_p = 65\text{ °C}$

| Type | Typ. voltage DC | | | | Typ. power consumption | | | |
|------------|-----------------|-------------|-------------|--------------|------------------------|-------------|-------------|--------------|
| | 350 mA V | 500 mA V | 700 mA V | 1050 mA V | 350 mA W | 500 mA W | 700 mA W | 1050 mA W |
| DMS125***H | 34.1 | 35.2 | 36.4 | — | 11.9 | 17.6 | 25.5 | — |
| DMS126***H | 33.6 | 34.6 | 35.7 | 37.2 | 11.8 | 17.3 | 25.0 | 39.1 |
| DMS128***H | 33.0 | 33.7 | 34.7 | 36.0 | 11.5 | 16.9 | 24.3 | 37.8 |

Voltage and power tolerance: $\pm 10\%$

Maximum Ratings

Exceeding the maximum ratings can lead to reduction of service life or destruction of the modules.

| Type | Operating current mA | Operation temperature range at t_c point | | Ambient temperature range | | Storage temperature range | | Max. allowed repetitive peak current mA |
|------------|-------------------------|--|---------|---------------------------|---------|---------------------------|---------|--|
| | | °C min. | °C max. | °C min. | °C max. | °C min. | °C max. | |
| DMS125***H | 350 | -40 | +110 | -40 | +40 | -40 | +105 | 1000 |
| | 500 | | +115 | | | | | |
| | 700 | | +120 | | | | | |
| DMS126***H | ≤ 500 | -40 | +120 | -40 | +40 | -40 | +105 | 1200 |
| | 700 | | +115 | | | | | |
| | 1050 | | +105 | | | | | |
| DMS128***H | ≤ 500 | -40 | +120 | -40 | +40 | -40 | +105 | 1600 |
| | 700 | | +110 | | | | | |
| | 1050 | | +100 | | | | | |

Operating Life

at $t_p = 65\text{ °C}$

| Lumen maintenance | 350 mA in hours | 500 mA in hours | 700 mA in hours | 1050 mA in hours | 350 mA in hours | 500 mA in hours | 700 mA in hours | 1050 mA in hours |
|-------------------|---------------------------|--------------------|--------------------|---------------------|---------------------------|--------------------|--------------------|---------------------|
| | DMS125***H (at If) | | | | DMS126***H (at If) | | | |
| L90/B10 | 95,000 | 90,000 | 82,000 | — | 95,000 | 91,000 | 86,000 | 77,000 |
| L80/B10 | > 100,000 | > 100,000 | > 100,000 | — | > 100,000 | > 100,000 | > 100,000 | > 100,000 |
| L70/B10 | > 100,000 | > 100,000 | > 100,000 | — | > 100,000 | > 100,000 | > 100,000 | > 100,000 |
| | DMS128***H (at If) | | | | | | | |
| L90/B10 | 95,000 | 90,000 | 84,000 | 72,000 | | | | |
| L80/B10 | > 100,000 | > 100,000 | > 100,000 | > 100,000 | | | | |
| L70/B10 | > 100,000 | > 100,000 | > 100,000 | > 100,000 | | | | |

The values contained in this data sheet can change due to technical innovations. Any such changes will be made without separate notification.

LUGA Shop Gen. 6 – up to 5000 lm

Optical Characteristics

at $t_p = 65\text{ °C}$

| Type | Ref. No. | Colour | Correlated colour temperature* K | Typ. luminous flux** and efficiency at | | | | | | | | Typ. beam angle ° | Typ. CRI R _G | Photo-metric code |
|-------------|---------------|---------------|-------------------------------------|--|------|--------|------|--------|------|---------|------|----------------------|----------------------------|-------------------|
| | | | | 350 mA | | 500 mA | | 700 mA | | 1050 mA | | | | |
| | | | | lm | lm/W | lm | lm/W | lm | lm/W | lm | lm/W | | | |
| DMS125C27H | 564885 | warm white | 2700 | 1785 | 150 | 2455 | 139 | 3260 | 128 | — | — | 120 | 82 | 827/249 |
| DMS125C30H | 564886 | warm white | 3000 | 1920 | 161 | 2640 | 150 | 3505 | 137 | — | — | 120 | 85 | 830/249 |
| DMS125C35H | 564889 | neutral white | 3500 | 1945 | 163 | 2675 | 152 | 3550 | 139 | — | — | 120 | 85 | 835/249 |
| DMS125C40H | 564890 | neutral white | 4000 | 1990 | 167 | 2730 | 155 | 3625 | 142 | — | — | 120 | 85 | 840/249 |
| DMS125C50H | 564891 | cool white | 5000 | 2005 | 168 | 2755 | 157 | 3660 | 144 | — | — | 120 | 85 | 850/249 |
| DMS126C27H | 564897 | warm white | 2700 | 1800 | 153 | 2490 | 144 | 3340 | 134 | 4655 | 119 | 120 | 82 | 827/249 |
| DMS126C30H | 564898 | warm white | 3000 | 1940 | 164 | 2680 | 155 | 3600 | 144 | 5010 | 128 | 120 | 85 | 830/249 |
| DMS126C30HB | 564899 | warm white | 3000 (below BBL) | 1865 | 158 | 2585 | 149 | 3465 | 139 | 4830 | 124 | 120 | 85 | 830/249 |
| DMS126C35H | 564902 | neutral white | 3500 | 1965 | 167 | 2720 | 157 | 3650 | 146 | 5085 | 130 | 120 | 85 | 835/249 |
| DMS126C40H | 564903 | neutral white | 4000 | 2000 | 169 | 2770 | 160 | 3720 | 149 | 5175 | 132 | 120 | 85 | 840/249 |
| DMS126C40HB | 564904 | neutral white | 4000 (below BBL) | 1940 | 164 | 2680 | 155 | 3600 | 144 | 5010 | 128 | 120 | 85 | 840/249 |
| DMS126C50H | 564905 | cool white | 5000 | 2025 | 172 | 2800 | 162 | 3755 | 150 | 5230 | 134 | 120 | 85 | 850/249 |
| DMS128C27H | 564508 | warm white | 2700 | 1815 | 158 | 2520 | 149 | 3400 | 140 | 4775 | 126 | 120 | 82 | 827/249 |
| DMS128C30H | 564509 | warm white | 3000 | 1955 | 170 | 2715 | 161 | 3660 | 151 | 5140 | 136 | 120 | 85 | 830/249 |
| DMS128C30HB | 564510 | warm white | 3000 (below BBL) | 1845 | 160 | 2560 | 151 | 3450 | 142 | 4845 | 128 | 120 | 85 | 830/249 |
| DMS128C35H | 564513 | neutral white | 3500 | 1980 | 172 | 2745 | 162 | 3705 | 153 | 5200 | 138 | 120 | 85 | 835/249 |
| DMS128C40H | 564514 | neutral white | 4000 | 2025 | 176 | 2805 | 166 | 3785 | 156 | 5315 | 141 | 120 | 85 | 840/249 |
| DMS128C40HB | 564515 | neutral white | 4000 (below BBL) | 1925 | 167 | 2670 | 158 | 3600 | 148 | 5060 | 134 | 120 | 85 | 840/249 |
| DMS128C50H | 564516 | cool white | 5000 | 2040 | 177 | 2830 | 167 | 3815 | 157 | 5360 | 142 | 120 | 85 | 850/249 |

* Colour tolerance: 2 MacAdam (CRI > 80) | ** Production tolerance of luminous flux and efficiency: ± 10 % | Min. CRI R_G: > 80

Minimum order quantity: 175 pcs.

The values contained in this data sheet can change due to technical innovations. Any such changes will be made without separate notification.

LUGA Shop Gen. 6 – up to 5000 lm Pearl White / Clear White

Optical Characteristics

at $t_p = 65\text{ °C}$

| Type | Ref. No. | Colour | Correlated colour temperature* K | Typ. luminous flux** and efficiency at | | | | | | | | Typ. beam angle ° | Typ. CRI R _a | Photo-metric code |
|-------------|---------------|-------------|-------------------------------------|--|------|--------|------|--------|------|---------|------|----------------------|----------------------------|-------------------|
| | | | | 350 mA | | 500 mA | | 700 mA | | 1050 mA | | | | |
| | | | | lm | lm/W | lm | lm/W | lm | lm/W | lm | lm/W | | | |
| DMS125C31HP | 564887 | pearl white | 3100 | 1870 | 157 | 2570 | 146 | 3410 | 134 | — | — | 120 | 85 | 831/249 |
| DMS125C32HC | 564888 | clear white | 3200 | 1880 | 158 | 2580 | 147 | 3425 | 134 | — | — | 120 | 85 | 832/249 |
| DMS125S31HP | 564894 | pearl white | 3100 | 1575 | 132 | 2165 | 123 | 2875 | 113 | — | — | 120 | 95 | 931/249 |
| DMS125S32HC | 564895 | clear white | 3200 | 1585 | 133 | 2175 | 124 | 2890 | 113 | — | — | 120 | 95 | 932/249 |
| DMS126C31HP | 564900 | pearl white | 3100 | 1890 | 160 | 2615 | 151 | 3505 | 140 | 4885 | 125 | 120 | 85 | 831/249 |
| DMS126C32HC | 564901 | clear white | 3200 | 1895 | 161 | 2620 | 151 | 3520 | 141 | 4900 | 125 | 120 | 85 | 832/249 |
| DMS126S31HP | 564908 | pearl white | 3100 | 1535 | 130 | 2125 | 123 | 2855 | 114 | 3975 | 102 | 120 | 95 | 931/249 |
| DMS126S32HC | 564909 | clear white | 3200 | 1550 | 131 | 2140 | 124 | 2875 | 115 | 4000 | 102 | 120 | 95 | 932/249 |
| DMS128C31HP | 564511 | pearl white | 3100 | 1910 | 166 | 2650 | 157 | 3570 | 147 | 5015 | 133 | 120 | 85 | 831/249 |
| DMS128C32HC | 564512 | clear white | 3200 | 1915 | 167 | 2655 | 157 | 3580 | 148 | 5030 | 133 | 120 | 85 | 832/249 |
| DMS128S31HP | 564519 | pearl white | 3100 | 1600 | 139 | 2220 | 131 | 2995 | 123 | 4205 | 111 | 120 | 95 | 931/249 |
| DMS128S32HC | 564520 | clear white | 3200 | 1605 | 140 | 2230 | 132 | 3005 | 124 | 4220 | 112 | 120 | 95 | 932/249 |

* Colour tolerance: 2 MacAdam | ** Production tolerance of luminous flux and efficiency: $\pm 10\%$ | Min. CRI R_a: > 90 / > 80

Minimum order quantity: 175 pcs.

LUGA Shop Gen. 6 – up to 4500 lm – HiCRI

Optical Characteristics

at $t_p = 65\text{ °C}$

| Type | Ref. No. | Colour | Correlated colour temperature* K | Typ. luminous flux** and efficiency at | | | | | | | | Typ. beam angle ° | Typ. CRI R _a | Photo-metric code |
|------------|---------------|---------------|-------------------------------------|--|------|--------|------|--------|------|---------|------|----------------------|----------------------------|-------------------|
| | | | | 350 mA | | 500 mA | | 700 mA | | 1050 mA | | | | |
| | | | | lm | lm/W | lm | lm/W | lm | lm/W | lm | lm/W | | | |
| DMS125D27H | 564892 | warm white | 2700 | 1485 | 125 | 2035 | 116 | 2705 | 106 | — | — | 120 | 95 | 927/249 |
| DMS125S30H | 564893 | warm white | 3000 (below BBL) | 1535 | 129 | 2105 | 120 | 2795 | 110 | — | — | 120 | 95 | 930/249 |
| DMS125S40H | 564896 | neutral white | 4000 (below BBL) | 1685 | 142 | 2315 | 132 | 3075 | 121 | — | — | 120 | 95 | 940/249 |
| DMS126D27H | 564906 | warm white | 2700 | 1420 | 120 | 1965 | 114 | 2635 | 105 | 3670 | 94 | 120 | 95 | 927/249 |
| DMS126S30H | 564907 | warm white | 3000 (below BBL) | 1500 | 127 | 2070 | 120 | 2780 | 111 | 3875 | 99 | 120 | 95 | 930/249 |
| DMS126S40H | 564910 | neutral white | 4000 (below BBL) | 1650 | 140 | 2285 | 132 | 3065 | 123 | 4270 | 109 | 120 | 95 | 940/249 |
| DMS128D27H | 564517 | warm white | 2700 | 1520 | 132 | 2110 | 125 | 2845 | 117 | 3995 | 106 | 120 | 95 | 927/249 |
| DMS128S30H | 564518 | warm white | 3000 (below BBL) | 1575 | 137 | 2185 | 129 | 2945 | 121 | 4135 | 109 | 120 | 95 | 930/249 |
| DMS128S35H | 564521 | neutral white | 3500 (below BBL) | 1660 | 144 | 2305 | 136 | 3105 | 128 | 4365 | 115 | 120 | 95 | 935/249 |
| DMS128S40H | 564522 | neutral white | 4000 (below BBL) | 1720 | 150 | 2385 | 141 | 3220 | 133 | 4520 | 120 | 120 | 95 | 940/249 |

* Colour tolerance: 2 MacAdam | ** Production tolerance of luminous flux and efficiency: $\pm 10\%$ | Min. CRI R_a: > 90

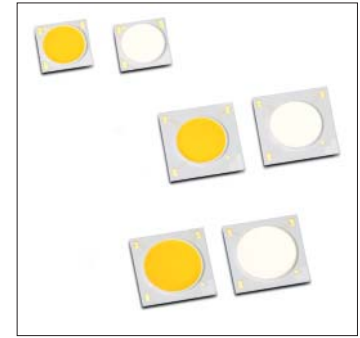
Minimum order quantity: 175 pcs.

The values contained in this data sheet can change due to technical innovations. Any such changes will be made without separate notification.

LUGA Shop Gen. 6 – up to 15,000 lm

Technical Notes

- LED module for integration into luminaires
- Dimensions: 28x28 mm
- Light emitting surface (LES): Ø 17 mm, Ø 20 mm
- Use of external LED constant current driver



Electrical Characteristics

at $t_p = 65^\circ\text{C}$

| Type | Typ. voltage DC | | | | | Typ. power consumption | | | | |
|------------|-----------------|--------------|--------------|--------------|--------------|------------------------|--------------|--------------|--------------|--------------|
| | 700 mA V | 1050 mA V | 1400 mA V | 1700 mA V | 2100 mA V | 700 mA W | 1050 mA W | 1400 mA W | 1700 mA W | 2100 mA W |
| DMS120***H | 34.0 | 35.3 | 36.3 | 37.0 | — | 23.8 | 37.0 | 50.8 | 62.8 | — |
| DMS12C***H | 33.5 | 34.5 | 35.4 | 36.1 | 36.9 | 23.4 | 36.2 | 49.6 | 61.4 | 77.4 |
| DMS18B***H | 49.9 | 51.5 | 52.9 | 53.9 | 54.9 | 34.9 | 54.0 | 74.0 | 91.6 | 115.4 |

Voltage and power tolerance: $\pm 10\%$

Maximum Ratings

Exceeding the maximum ratings can lead to reduction of service life or destruction of the modules.

| Type | Operating current mA | Operation temperature range at t_c point | | Ambient temperature range | | Storage temperature range | | Max. allowed repetitive peak current mA |
|------------|-------------------------|--|-----------------------|---------------------------|-----------------------|---------------------------|-----------------------|--|
| | | $^\circ\text{C}$ min. | $^\circ\text{C}$ max. | $^\circ\text{C}$ min. | $^\circ\text{C}$ max. | $^\circ\text{C}$ min. | $^\circ\text{C}$ max. | |
| DMS120***H | 700 | -40 | +120 | -40 | +40 | -40 | +105 | 2000 |
| | 1050 | | +110 | | | | | |
| | 1400 | | +105 | | | | | |
| | 1700 | | +95 | | | | | |
| DMS12C***H | 700 | -40 | +120 | -40 | +40 | -40 | +105 | 2500 |
| | 1050 | | +115 | | | | | |
| | 1400 | | +110 | | | | | |
| | 1700 | | +105 | | | | | |
| | 2100 | | +100 | | | | | |
| DMS18B***H | 700 | -40 | +115 | -40 | +40 | -40 | +105 | 2400 |
| | 1050 | | +110 | | | | | |
| | 1400 | | +100 | | | | | |
| | 1700 | | +95 | | | | | |
| | 2100 | | +85 | | | | | |

Operating Life

at $t_p = 65^\circ\text{C}$

| Lumen maintenance | 700 mA in hours | 1050 mA in hours | 1400 mA in hours | 1700 mA in hours | 2100 mA in hours | 700 mA in hours | 1050 mA in hours | 1400 mA in hours | 1700 mA in hours | 2100 mA in hours |
|-------------------|---|---------------------|---------------------|---------------------|---------------------|---|---------------------|---------------------|---------------------|---------------------|
| | DMS120***H (at I_f) | | | | | DMS12C***H (at I_f) | | | | |
| L90/B10 | 90,000 | 83,000 | 75,000 | 67,000 | — | 94,000 | 89,000 | 83,000 | 78,000 | 72,000 |
| L80/B10 | > 100,000 | > 100,000 | > 100,000 | > 100,000 | — | > 100,000 | > 100,000 | > 100,000 | > 100,000 | > 100,000 |
| L70/B10 | > 100,000 | > 100,000 | > 100,000 | > 100,000 | — | > 100,000 | > 100,000 | > 100,000 | > 100,000 | > 100,000 |
| | DMS18B***H (at I_f) | | | | | | | | | |
| L90/B10 | 87,000 | 81,000 | 73,000 | 67,000 | 58,000 | | | | | |
| L80/B10 | > 100,000 | > 100,000 | > 100,000 | > 100,000 | 87,000 | | | | | |
| L70/B10 | > 100,000 | > 100,000 | > 100,000 | > 100,000 | > 100,000 | | | | | |

The values contained in this data sheet can change due to technical innovations. Any such changes will be made without separate notification.

LUGA Shop Gen. 6 – up to 15,000 lm

Optical Characteristics

at $t_p = 65\text{ °C}$

| Type | Ref. No. | Colour | Correlated colour temperature* K | Typ. luminous flux** and efficiency at | | | | | | | | | | Typ. beam angle (°) | Typ. CRI R _a | Photo-metric code |
|-------------|---------------|---------------|-------------------------------------|--|------|---------|------|---------|------|---------|------|---------|------|---------------------|-------------------------|-------------------|
| | | | | 700 mA | | 1050 mA | | 1400 mA | | 1700 mA | | 2100 mA | | | | |
| | | | | lm | lm/W | lm | lm/W | lm | lm/W | lm | lm/W | lm | lm/W | | | |
| DMS120C27H | 564523 | warm white | 2700 | 3595 | 151 | 5135 | 139 | 6520 | 128 | 7580 | 121 | — | — | 120 | 82 | 827/249 |
| DMS120C30H | 564524 | warm white | 3000 | 3870 | 163 | 5530 | 149 | 7020 | 138 | 8160 | 130 | — | — | 120 | 85 | 830/249 |
| DMS120C30HB | 564525 | warm white | 3000 (below BBL) | 3650 | 153 | 5220 | 141 | 6625 | 130 | 7705 | 123 | — | — | 120 | 85 | 830/249 |
| DMS120C35H | 564528 | neutral white | 3500 | 3925 | 165 | 5615 | 152 | 7125 | 140 | 8285 | 132 | — | — | 120 | 85 | 835/249 |
| DMS120C40H | 564529 | neutral white | 4000 | 4000 | 168 | 5720 | 155 | 7265 | 143 | 8440 | 134 | — | — | 120 | 85 | 840/249 |
| DMS120C40HB | 564530 | neutral white | 4000 (below BBL) | 3810 | 160 | 5445 | 147 | 6915 | 136 | 8035 | 128 | — | — | 120 | 85 | 840/249 |
| DMS120C50H | 564531 | cool white | 5000 | 4035 | 170 | 5770 | 156 | 7325 | 144 | 8510 | 136 | — | — | 120 | 85 | 850/249 |
| DMS120B50H | 564532 | cool white | 5000 | 4325 | 182 | 6185 | 167 | 7855 | 155 | 9125 | 145 | — | — | 120 | 70 | 750/569 |
| DMS12CC27H | 564539 | warm white | 2700 | 3690 | 158 | 5335 | 147 | 6855 | 138 | 8070 | 131 | 9550 | 123 | 120 | 82 | 827/249 |
| DMS12CC30H | 564540 | warm white | 3000 | 3970 | 170 | 5740 | 159 | 7385 | 149 | 8685 | 141 | 10280 | 133 | 120 | 85 | 830/249 |
| DMS12CC30HB | 564541 | warm white | 3000 (below BBL) | 3750 | 160 | 5425 | 150 | 6975 | 141 | 8210 | 134 | 9715 | 126 | 120 | 85 | 830/249 |
| DMS12CC35H | 564544 | neutral white | 3500 | 4030 | 172 | 5825 | 161 | 7490 | 151 | 8810 | 143 | 10430 | 135 | 120 | 85 | 835/249 |
| DMS12CC40H | 564545 | neutral white | 4000 | 4105 | 175 | 5935 | 164 | 7630 | 154 | 8980 | 146 | 10630 | 137 | 120 | 85 | 840/249 |
| DMS12CC40HB | 564546 | neutral white | 4000 (below BBL) | 3905 | 167 | 5650 | 156 | 7265 | 146 | 8550 | 139 | 10115 | 131 | 120 | 85 | 840/249 |
| DMS12CC50H | 564547 | cool white | 5000 | 4150 | 177 | 5995 | 166 | 7710 | 155 | 9075 | 148 | 10740 | 139 | 120 | 85 | 850/249 |
| DMS12CB50H | 564548 | cool white | 5000 | 4445 | 190 | 6425 | 177 | 8265 | 167 | 9725 | 158 | 11505 | 149 | 120 | 70 | 750/569 |
| DMS18BC30H | 564911 | warm white | 3000 | 5615 | 161 | 8075 | 150 | 10325 | 140 | 12080 | 132 | 14185 | 123 | 120 | 85 | 830/249 |
| DMS18BC40H | 564913 | neutral white | 4000 | 5835 | 167 | 8395 | 155 | 10735 | 145 | 12560 | 137 | 14750 | 128 | 120 | 85 | 840/249 |
| DMS18BC50H | 564914 | cool white | 5000 | 5905 | 169 | 8500 | 157 | 10865 | 147 | 12715 | 139 | 14925 | 129 | 120 | 85 | 850/249 |
| DMS18BB40H | 564915 | neutral white | 4000 | 6045 | 173 | 8700 | 161 | 11120 | 150 | 13015 | 142 | 15280 | 132 | 120 | 70 | 740/349 |
| DMS18BB50H | 564916 | cool white | 5000 | 6265 | 180 | 9010 | 167 | 11520 | 156 | 13480 | 147 | 15825 | 137 | 120 | 70 | 750/569 |

* Colour tolerance: 2 MacAdam [CRI > 80] ** Production tolerance of luminous flux and efficiency: ± 10 % | Min. CRI R_a: > 80 / > 65

Minimum order quantity: 100 pcs.

The values contained in this data sheet can change due to technical innovations. Any such changes will be made without separate notification.

LUGA Shop Gen. 6 – up to 14,000 lm Pearl White / Clear White

Optical Characteristics

at $t_p = 65\text{ °C}$

| Type | Ref. No. | Colour | Correlated colour temperature* K | Typ. luminous flux** and efficiency at | | | | | | | | Typ. beam angle (°) | Typ. CRI R _a | Photo-metric code | | |
|-------------|---------------|-------------|-------------------------------------|--|------|---------|------|---------|------|---------|------|---------------------|-------------------------|-------------------|---------|---------|
| | | | | 700 mA | | 1050 mA | | 1400 mA | | 1700 mA | | | | | 2100 mA | |
| | | | | lm | lm/W | lm | lm/W | lm | lm/W | lm | lm/W | lm | lm/W | | | |
| DMS120C31HP | 564526 | pearl white | 3100 | 3770 | 158 | 5390 | 146 | 6840 | 135 | 7950 | 127 | — | — | 120 | 85 | 831/249 |
| DMS120C32HC | 564527 | clear white | 3200 | 3785 | 159 | 5410 | 146 | 6870 | 135 | 7985 | 127 | — | — | 120 | 85 | 832/249 |
| DMS120S31HP | 564535 | pearl white | 3100 | 3170 | 133 | 4530 | 122 | 5750 | 113 | 6685 | 106 | — | — | 120 | 95 | 931/249 |
| DMS120S32HC | 564536 | clear white | 3200 | 3185 | 134 | 4555 | 123 | 5780 | 114 | 6720 | 107 | — | — | 120 | 95 | 932/249 |
| DMS12CC31HP | 564542 | pearl white | 3100 | 3865 | 165 | 5590 | 154 | 7185 | 145 | 8455 | 138 | 10005 | 129 | 120 | 85 | 831/249 |
| DMS12CC32HC | 564543 | clear white | 3200 | 3885 | 166 | 5620 | 155 | 7225 | 146 | 8500 | 138 | 10060 | 130 | 120 | 85 | 832/249 |
| DMS12CS31HP | 564551 | pearl white | 3100 | 3270 | 140 | 4730 | 131 | 6080 | 123 | 7155 | 117 | 8470 | 109 | 120 | 95 | 931/249 |
| DMS12CS32HC | 564552 | clear white | 3200 | 3300 | 141 | 4770 | 132 | 6135 | 124 | 7220 | 118 | 8545 | 110 | 120 | 95 | 932/249 |
| DMS18BC31HP | 564912 | pearl white | 3100 | 5500 | 158 | 7915 | 147 | 10120 | 137 | 11840 | 129 | 13900 | 120 | 120 | 85 | 831/249 |
| DMS18BS31HP | 564918 | clear white | 3200 | 4525 | 130 | 6505 | 120 | 8320 | 112 | 9735 | 106 | 11430 | 99 | 120 | 85 | 832/249 |

* Colour tolerance: 2 MacAdam | ** Production tolerance of luminous flux and efficiency: $\pm 10\%$ | Min. CRI R_a: $> 90 / > 80$

Minimum order quantity: 100 pcs.

LUGA Shop Gen. 6 – up to 12,000 lm HiCRI

Optical Characteristics

at $t_p = 65\text{ °C}$

| Type | Ref. No. | Colour | Correlated colour temperature* K | Typ. luminous flux** and efficiency at | | | | | | | | Typ. beam angle (°) | Typ. CRI R _a | Photo-metric code | | |
|------------|---------------|---------------|-------------------------------------|--|------|---------|------|---------|------|---------|------|---------------------|-------------------------|-------------------|---------|---------|
| | | | | 700 mA | | 1050 mA | | 1400 mA | | 1700 mA | | | | | 2100 mA | |
| | | | | lm | lm/W | lm | lm/W | lm | lm/W | lm | lm/W | lm | lm/W | | | |
| DMS120D27H | 564533 | warm white | 2700 | 3010 | 126 | 4305 | 116 | 5460 | 107 | 6350 | 101 | — | — | 120 | 95 | 927/249 |
| DMS120S30H | 564534 | warm white | 3000 (below BBL) | 3110 | 131 | 4445 | 120 | 5645 | 111 | 6560 | 104 | — | — | 120 | 95 | 930/249 |
| DMS120S35H | 564537 | neutral white | 3500 (below BBL) | 3285 | 138 | 4695 | 127 | 5960 | 117 | 6930 | 110 | — | — | 120 | 95 | 935/249 |
| DMS120S40H | 564538 | neutral white | 4000 (below BBL) | 3400 | 143 | 4865 | 131 | 6175 | 122 | 7175 | 114 | — | — | 120 | 95 | 940/249 |
| DMS12CD27H | 564549 | warm white | 2700 | 3050 | 130 | 4415 | 122 | 5675 | 114 | 6680 | 109 | 7905 | 102 | 120 | 95 | 927/249 |
| DMS12CS30H | 564550 | warm white | 3000 (below BBL) | 3200 | 137 | 4630 | 128 | 5950 | 120 | 7000 | 114 | 8285 | 107 | 120 | 95 | 930/249 |
| DMS12CS35H | 564553 | neutral white | 3500 (below BBL) | 3405 | 146 | 4925 | 136 | 6330 | 128 | 7450 | 121 | 8820 | 114 | 120 | 95 | 935/249 |
| DMS12CS40H | 564554 | neutral white | 4000 (below BBL) | 3535 | 151 | 5110 | 141 | 6570 | 132 | 7730 | 126 | 9145 | 118 | 120 | 95 | 940/249 |
| DMS18BS30H | 564917 | warm white | 3000 (below BBL) | 4405 | 126 | 6335 | 117 | 8100 | 109 | 9480 | 103 | 11130 | 96 | 120 | 95 | 930/249 |
| DMS18BS40H | 564919 | neutral white | 4000 (below BBL) | 4885 | 140 | 7030 | 130 | 8985 | 121 | 10515 | 115 | 12345 | 107 | 120 | 95 | 940/249 |

* Colour tolerance: 2 MacAdam | ** Production tolerance of luminous flux and efficiency: $\pm 10\%$ | Min. CRI R_a: > 90

Minimum order quantity: 100 pcs.

The values contained in this data sheet can change due to technical innovations. Any such changes will be made without separate notification.

LUGA Shop Gen. 6 – up to 5500 lm Food

Optical Characteristics

at $t_p = 65\text{ °C}$

| Type | Ref. No. | Colour | Correlated colour temperature* (K) | Typ. luminous flux** and efficiency at | | | | | | | | Typ. beam angle (°) | Typ. CRI Ra | Photo-metric code |
|------------|---------------|----------------|------------------------------------|--|------|---------|------|---------|------|---------|------|---------------------|---------------------------|-------------------|
| | | | | 1050 mA | | 1400 mA | | 1700 mA | | 2100 mA | | | | |
| | | | | lm | lm/W | lm | lm/W | lm | lm/W | lm | lm/W | | | |
| DMS12CP19H | 564555 | "pink effect" | 2000 | 2575 | 71 | 3310 | 67 | 3895 | 63 | 4610 | 60 | 120 | 82 | 820/349 |
| DMS12CP40H | 564556 | "white effect" | 4000 | 3065 | 85 | 3940 | 79 | 4635 | 75 | 5490 | 70 | 120 | 70 (spec. spectrum: HiGa) | 740/349 |

* Colour tolerance: 3 MacAdam | ** Production tolerance of luminous flux and efficiency: $\pm 10\%$

Minimum order quantity: 100 pcs.

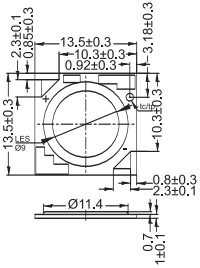
Typical Applications

| DMS12CP19H 564555 "pink effect" | DMS12CP40H 564556 "white effect" |
|--|---|
| • Meat | • Meat |

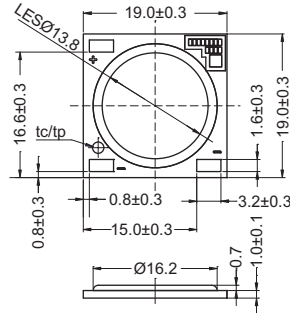
The values contained in this data sheet can change due to technical innovations. Any such changes will be made without separate notification.

LUGA Shop Gen. 6

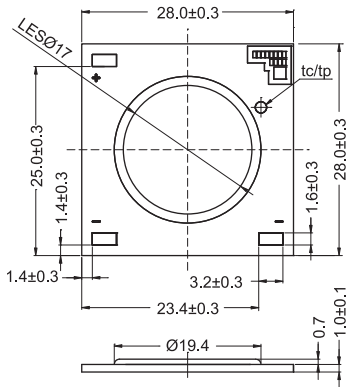
DMS124



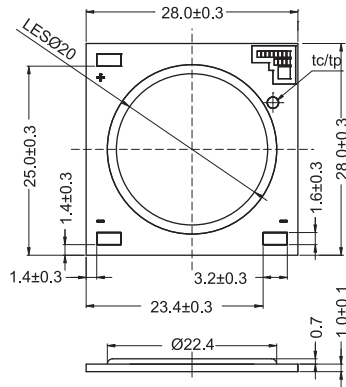
DMS125/126/128



DMS120



DMS12C / DMS18B



The clearance and creepage distances are designed for working voltages up to:

| Type | Basic insulation | Reinforced insulation |
|-------------------------|------------------|-----------------------|
| DMS 124/125/126/128***H | 235 V DC | 60 V DC |
| DMS 120/12C/18B***H | 330 V DC | 175 V DC |

Thickness of PCB is included in calculation.

The values contained in this data sheet can change due to technical innovations. Any such changes will be made without separate notification.

LUGA Shop Gen. 6

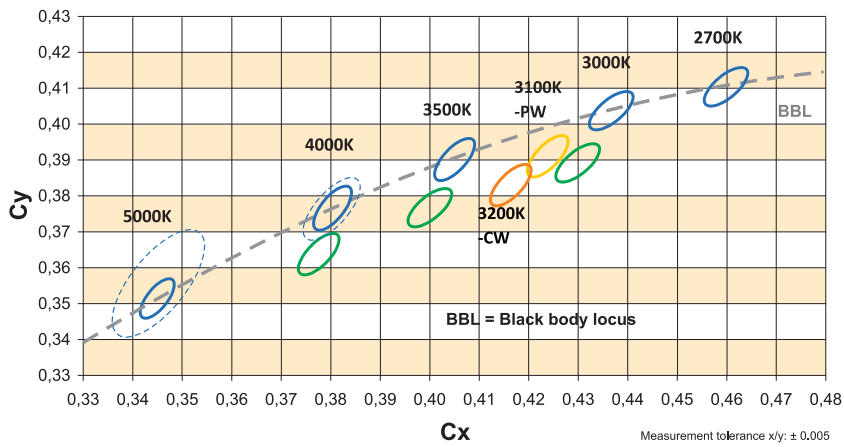
Product Code

| | | | | | | | | | |
|--|--|--|--|--|--|--|--|--|--|
| | | | | | | | | | |
| | | | | | | | | | |

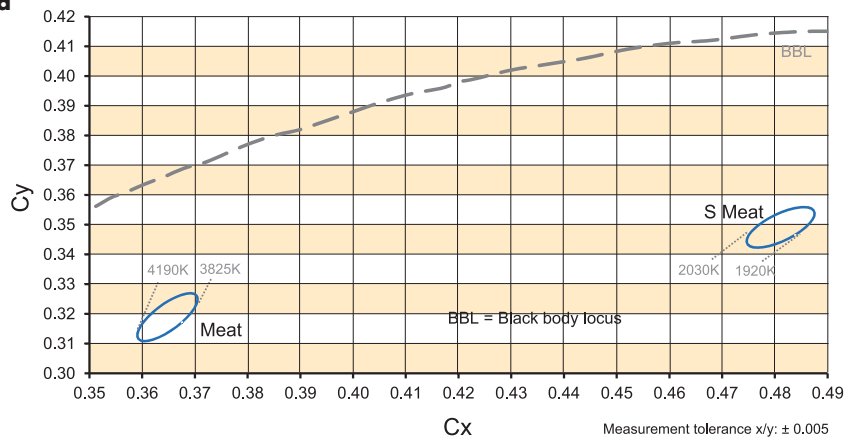
| CCT | CRI | Type | | | | | | |
|------------|-----|--------|--------|--------|--------|--------|--------|--------|
| | | DMS124 | DMS125 | DMS126 | DMS128 | DMS120 | DMS12C | DMS18B |
| 2700K | 82 | 24C27H | 25C27H | 26C27H | 28C27H | 20C27H | 2CC27H | - |
| 3000K | 85 | 24C30H | 25C30H | 26C30H | 28C30H | 20C30H | 2CC30H | 8BC30H |
| 3000K* | 85 | - | - | 26C30h | 28C30h | 20C30h | 2CC30h | - |
| 3100K** | 85 | - | 25C31H | 26C31H | 28C31H | 20C31H | 2CC31H | 8BC31H |
| 3200K*** | 85 | - | 25C32H | 26C32H | 28C32H | 20C32H | 2CC32H | - |
| 3500K | 85 | - | 25C35H | 26C35H | 28C35H | 20C35H | 2CC35H | - |
| 4000K | 85 | 24C40H | 25C40H | 26C40H | 28C40H | 20C40H | 2CC40H | 8BC40H |
| 4000K* | 85 | - | - | 26C40h | 28C40h | 20C40h | 2CC35h | - |
| 5000K | 85 | - | 25C50H | 26C50H | 28C50H | 20C50H | 2CC50H | 8BC50H |
| 4000K | 70 | - | - | - | - | - | - | 8BB40H |
| 5000K | 70 | - | - | - | - | 20B50H | 2CB50H | 8BB50H |
| 2700K | 95 | - | 25D27H | 26D27H | 28D27H | 20D27H | 2CD27H | - |
| 3000K* | 95 | 24S30H | 25S30H | 26S30H | 28S30H | 20S30H | 2CS30H | 8BS30H |
| 3100K** | 95 | - | 25S31H | 26S31H | 28S31H | 20S31H | 2CS31H | 8BS31H |
| 3200K*** | 95 | - | - | 26S32H | 28S32H | 20S32H | 2CS32H | - |
| 3500K* | 95 | - | - | - | 28S35H | 20S35H | 2CS35H | - |
| 4000K* | 95 | 24S40H | 25S40H | 26S40H | 28S40H | 20S40H | 2CS40H | 8BS40H |
| FOOD 2000K | - | - | - | - | - | - | 2CP19H | - |
| FOOD 4000K | - | - | - | - | - | - | 2CP40H | - |

* Below BBL
 ** Pearl White
 *** Clear White

Bins LUGA Shop



Bins LUGA Shop Food



The values contained in this data sheet can change due to technical innovations. Any such changes will be made without separate notification.

LUGA Shop Gen. 6 – Ready-to-Assemble

Technical Notes

- LED module for integration into luminaires
- Dimensions: Ø 44 mm or Ø 50 mm
- TIM (Thermal Interface Material) integrated
- Use of external LED constant current driver



Electrical Characteristics / Operating Life / Bins

Datas are mentioned on the product pages of LED modules in this data sheet.

Maximum Ratings

Exceeding the maximum ratings can lead to reduction of service life or destruction of the modules.

The mentioned maximum ratings are listed on the product pages of the LED modules. The operating and storage temperature are different.

Operating temperature: -40 to +105 °C / storage temperature: -20 to +40 °C

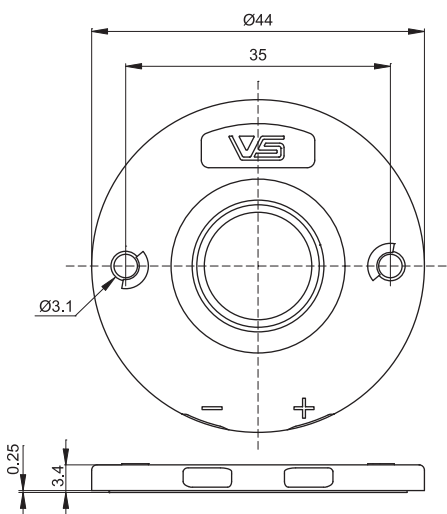
Optical Characteristics

The optical characteristics are mentioned on the product pages of LED modules in this data sheet.

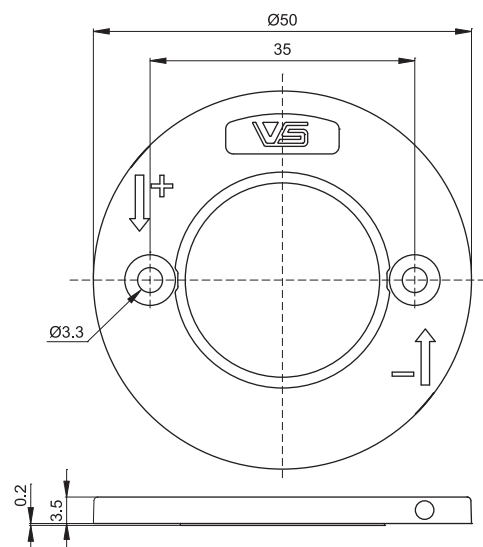
The typical luminous flux differs for the Ready-to-Assemble modules: -1%

Mechanical Dimensions

U-DMS 125/126/128



U-DMS 120/12C/18B



Assembly Instructions

Step 1: Put in the leads into the push-in terminals.

U-DMS 125/126/128:

- Conductor cross-section: 0.34–0.75 mm², solid or stranded conductor with tinned lead ends
- Stripped length: 10–12 mm

U-DMS 120/12C/18B:

- Conductor cross-section: 0.5–0.75 mm², solid or stranded conductor with tinned lead ends
- Stripped length: 7–8 mm

Step 2: Remove the transparent protection film on the rear side of the module.

Step 3: Screw the module with M3 screws onto the heat sink.

- Min. torque: 0.3 Nm
- Max. torque: 0.5 Nm

Step 1 (electrical connection) can also be done optional as final step.

The values contained in this data sheet can change due to technical innovations. Any such changes will be made without separate notification.

LUGA Shop Gen. 6 – Ready-to-Assemble

Ready-to-Assemble – LUGA Shop Gen. 6 – up to 5000 lm

| Ready-to-Assemble module | |
|---------------------------|---------------|
| Type | Ref. No. |
| U-DMS125C27H | 565608 |
| U-DMS125C30H | 565609 |
| U-DMS125C35H | 565612 |
| U-DMS125C40H | 565613 |
| U-DMS125C50H | 565614 |
| U-DMS126C27H | 565620 |
| U-DMS126C30H | 565621 |
| U-DMS126C30HB (below BBL) | 565622 |
| U-DMS126C35H | 565625 |
| U-DMS126C40H | 565626 |
| U-DMS126C40HB (below BBL) | 565627 |
| U-DMS126C50H | 565628 |
| U-DMS128C27H | 565634 |
| U-DMS128C30H | 565635 |
| U-DMS128C30HB (below BBL) | 565636 |
| U-DMS128C35H | 565639 |
| U-DMS128C40H | 565640 |
| U-DMS128C40HB (below BBL) | 565641 |
| U-DMS128C50H | 565642 |

Pearl White / Clear White – up to 5000 lm

| Ready-to-Assemble module | |
|----------------------------|---------------|
| Type | Ref. No. |
| U-DMS125C31HP (PearlWhite) | 565610 |
| U-DMS125C32HC (ClearWhite) | 565611 |
| U-DMS125S31HP (PearlWhite) | 565617 |
| U-DMS125S32HC (ClearWhite) | 565618 |
| U-DMS126C31HP (PearlWhite) | 565623 |
| U-DMS126C32HC (ClearWhite) | 565624 |
| U-DMS126S31HP (PearlWhite) | 565631 |
| U-DMS126S32HC (ClearWhite) | 565632 |
| U-DMS128C31HP (PearlWhite) | 565637 |
| U-DMS128C32HC (ClearWhite) | 565638 |
| U-DMS128S31HP (PearlWhite) | 565645 |
| U-DMS128S32HC (ClearWhite) | 565646 |

Hi-CRI – up to 4500 lm

| Ready-to-Assemble module | |
|--------------------------|---------------|
| Type | Ref. No. |
| U-DMS125D27H | 565615 |
| U-DMS125S30H (below BBL) | 565616 |
| U-DMS125S40H (below BBL) | 565619 |
| U-DMS126D27H | 565629 |
| U-DMS126S30H (below BBL) | 565630 |
| U-DMS126S40H (below BBL) | 565633 |
| U-DMS128D27H | 565643 |
| U-DMS128S30H (below BBL) | 565644 |
| U-DMS128S35H (below BBL) | 565647 |
| U-DMS128S40H (below BBL) | 565648 |

Ready-to-Assemble – LUGA Shop Gen. 6 – up to 15,000 lm

| Ready-to-Assemble module | |
|---------------------------|---------------|
| Type | Ref. No. |
| U-DMS120C27H | 565649 |
| U-DMS120C30H | 565650 |
| U-DMS120C30HB (below BBL) | 565651 |
| U-DMS120C35H | 565654 |
| U-DMS120C40H | 565655 |
| U-DMS120C40HB (below BBL) | 565656 |
| U-DMS120C50H | 565657 |
| U-DMS120B50H | 565658 |
| U-DMS12CC27H | 565665 |
| U-DMS12CC30H | 565666 |
| U-DMS12CC30HB (below BBL) | 565667 |
| U-DMS12CC35H | 565670 |
| U-DMS12CC40H | 565671 |
| U-DMS12CC40HB (below BBL) | 565672 |
| U-DMS12CC50H | 565673 |
| U-DMS12CB50H | 565674 |
| U-DMS18BC30H | 565683 |
| U-DMS18BC40H | 565685 |
| U-DMS18BC50H | 565686 |
| U-DMS18BB40H | 565687 |
| U-DMS18BB50H | 565688 |

Pearl White / Clear White – up to 14,000 lm

| Ready-to-Assemble module | |
|----------------------------|---------------|
| Type | Ref. No. |
| U-DMS120C31HP (PearlWhite) | 565652 |
| U-DMS120C32HC (ClearWhite) | 565653 |
| U-DMS120S31HP (PearlWhite) | 565661 |
| U-DMS120S32HC (ClearWhite) | 565662 |
| U-DMS12CC31HP (PearlWhite) | 565668 |
| U-DMS12CC32HC (ClearWhite) | 565669 |
| U-DMS12CS31HP (PearlWhite) | 565677 |
| U-DMS12CS32HC (ClearWhite) | 565678 |
| U-DMS18BC31HP (PearlWhite) | 565684 |
| U-DMS18BS31HP (ClearWhite) | 565690 |

Hi-CRI – up to 12,000 lm

| Ready-to-Assemble module | |
|--------------------------|---------------|
| Type | Ref. No. |
| U-DMS120D27H | 565659 |
| U-DMS120S30H (below BBL) | 565660 |
| U-DMS120S35H (below BBL) | 565663 |
| U-DMS120S40H (below BBL) | 565664 |
| U-DMS12CD27H | 565675 |
| U-DMS12CS30H (below BBL) | 565676 |
| U-DMS12CS35H (below BBL) | 565679 |
| U-DMS12CS40H (below BBL) | 565680 |
| U-DMS18BS30H (below BBL) | 565689 |
| U-DMS18BS40H (below BBL) | 565691 |

Food

| Ready-to-Assemble module | |
|------------------------------------|---------------|
| Type | Ref. No. |
| U-DMS12CP19H (Meat "pink effect") | 565681 |
| U-DMS12CP40H (Meat "white effect") | 565682 |

The values contained in this data sheet can change due to technical innovations. Any such changes will be made without separate notification.

LUGA Shop Gen. 6

Assembly and Safety Information

Installation must be carried out under observation of the relevant regulations and standards. The LED modules are designed for operation within a casing or luminaire. Installation must be carried out in a voltage-free state (i.e. disconnection from the mains). The following advice must be observed; non-observance can result in the destruction of the LED assembly modules, fire and/or other hazards.

- ESD (electrostatic discharge) protection measures must be observed when handling and installing the LED modules. See VS's application notes on ESD protection.
- LED assembly modules must not be subjected to any undue mechanical stress, e. g.:
 - do not treat as bulk cargo
 - avoid shear and compressive forces during handling and installation
 - do not damage circuit paths
 - do not touch the yellow phosphorus layer
- The module must be fixed onto a thermally conductive surface.
- Safe operation only possible by the use of external constant current sources (I_{max} , see table "Electrical Characteristics").
- Operation only with power supply units that feature the following protection:
 - Short-circuit protection
 - Overload protection
 - Overheating protection
 - SELV (Safety Extra Low Voltage); $U_{max} \leq 60\text{ V}$
 - I_{max} (see table "Maximum Ratings") must not be exceeded.
- When operating devices will be selected care has been taken to ensure that the maximum values (see table "Maximum Ratings") will not be exceeded.
- Please ensure the correct polarity of the leads prior to commissioning. Reversed polarity can destroy the modules.
- Safety regulations acc. to EN 60598 (or further standards) has to be observed if the maximum output voltage exceed the permitted touchable value.
- Measurement tolerances:
 - luminous flux: $\pm 7\%$
 - voltage: $\pm 3\%$
 - CRI: $\pm 1\%$
- Maximum allowed number of switching cycles: 15,000
- A parallel connection of the modules is not allowed.
- To ensure problem-free operation, the specified maximum temperature at the t_c point (see "Operating Life") must be observed (and measured in accordance with EN 60598-1). To satisfy this point, it may be necessary to put measures in place to ensure any heat is dissipated from the PCB to the environment.

- In the event of outdoor applications or applications in damp locations, care must be taken to protect LED assembly modules against humidity, splashes and jets of water. Any corrosion damage resulting from humidity or contact with condensation will not be recognised as a defect or manufacturing fault. LED assembly modules are not specially protected against foreign bodies or dust. Depending on the type of application, further protection must be ensured to prevent dust and foreign bodies from entering.
- Operating LED modules in the presence of certain chemical substances or in chemically enriched (aggressive) environments can impair module functionality or even cause total module failure. Detailed information can be found in our "Chemical Incompatibility" PDF on our website www.vossloh-schwabe.com
- The photobiological safety of the LED modules must be classified into risk groups in accordance with EN 62471
Rating in accordance with IEC / TR 62778: risk group 1
Except the following products at the mentioned operating current are classified into risk group 2:

| > 700 mA | > 1050 mA | > 1400 mA | > 2100 mA |
|------------|-------------|-------------|-------------|
| DMS128C50H | DMS126C40H | DMS12CB50H | DMS12CC40H |
| | DMS126C40HB | DMS18BC50H | DMS12CC40HB |
| > 900 mA | DMS128C40H | DMS18BB40H | |
| DMS126C50H | DMS128C40HB | | |
| | DMS120B50H | > 1700 mA | |
| | DMS120C50H | DMS120C40H | |
| | DMS18BB50H | DMS120C40HB | |
| | | DMS12CC50H | |
| | | DMS18BC40H | |

Product Guarantee

- 5 years
- The conditions for the Product Guarantee of the Vossloh-Schwabe Group shall apply as published on our homepage (www.vossloh-schwabe.com).
We will be happy to send you these conditions upon request.

The values contained in this data sheet can change due to technical innovations. Any such changes will be made without separate notification.

LUGA Shop Gen. 6

Reflectors:

- ACL-Lichttechnik GmbH
www.reflektor.com
- Jordan Luxar GmbH & Co. KG
www.jordan-luxar.de
- JORDAN REFLEKTOREN GmbH & Co. KG
www.jordan-reflektoren.de
- LEDIL
www.ledil.com

Heat sinks with active cooling:

- AVC
www.avc-europa.de
- Nuventix, Inc.
www.nuventix.com
- Sunon
www.sunon.com
- MechaTronix
www.led-heatsink.com
- Colliance, Inc.
www.cooliance.eu

Heat sinks with passive cooling:

- AVC
www.avc-europa.de
- Fischer Elektronik GmbH & Co. KG
www.fischerelektronik.de
- Frigo Dynamics
www.frigodynamics.com
- MechaTronix
www.led-heatsink.com

LED Constant Current Drivers

Please visit our homepage for details for suitable

LED constant current drivers: www.vossloh-schwabe.com