

B15d, BA15d Lampholders

For low-voltage and mains voltage halogen incandescent lamps

One-piece contact pins with screw terminals to reduce voltage drop.

When using lampholders without cap it has to be ensured protection from electric shock as well as sufficient creepage distances and clearances from live parts on the back of lampholders.

B15d, BA15d lampholders

Casing with fixing flange: zinc-coated polished steel

Insert: ceramic, T230

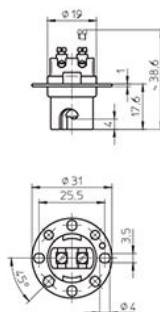
Nominal rating: 8/250

Fixing holes for screws M3

Weight: 15/16 g, unit: 500 pcs.

Type: 78100

Ref. No.: 102923



G9 Lampholders, Accessories

For mains voltage halogen incandescent lamps

For luminaires of protection class II

G9 lampholder

Casing: ceramic, cover plate: LCP, natural

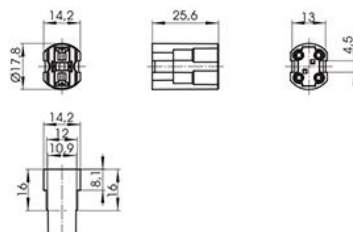
T300, nominal rating: 2/250

Push-in twin terminals for stranded conductors with ferrule on bare end of core \varnothing 1.4–1.8 mm

Weight: 7.5 g, unit: 1000 pcs.

Type: 33800

Ref. No.: 509357



Lampholders for Halogen Incandescent Lamps

G9 lampholder

Casing: ceramic, T300, nominal rating: 2/250

Leads: Cu nickel-plated, stranded conductors

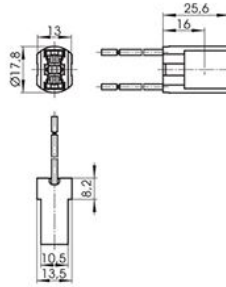
0.75 mm², double PTFE-insulation,

length: 180 mm

Weight: 12.8 g, unit: 1000 pcs.

Type: 33906

Ref. No.: 532610



1

2

Metal bracket with nipple

For G9 lampholders type 338/339

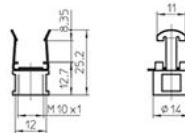
Material: zinc-coated steel

Female nipple: M10x1

Weight: 7.8 g, unit: 1000 pcs.

Type: 94455

Ref. No.: 520880



3

4

Metal brackets

For G9 lampholders type 338/339

Material: zinc-coated steel

Fixing holes for screws M3

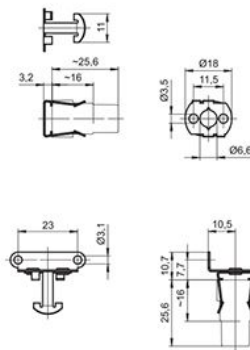
Weight: 1.5/3.5 g, unit: 1000 pcs.

Type: 94457

Ref. No.: 520882

Type: 80280 with bracket 90°

Ref. No.: 521010



5

6

Cover cap for G9 lampholders type 338/339

Material: LCP

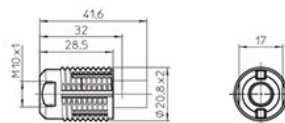
External thread 20.8x2

Moulded thread: M10x1

Weight: 3.2 g, unit: 1000 pcs.

Type: 97760

Ref. No.: 525583



7

8

Screw rings

For components with external thread 20.8x2

Weight: 1.7/1.4 g, unit: 1000 pcs.

Type: 97257

Ref. No.: 109550 PPS, black

Ref. No.: 507490 LCP, natural



9

10

Lampholders for Halogen Incandescent Lamps

Metal screw rings

For components with external thread 20.8x2

Material: zinc-coated polished steel

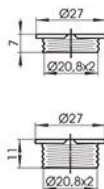
Weight: 1.6/2 g, unit: 1000 pcs.

Type: 93034 Ø 27 mm, height: 7 mm

Ref. No.: 509110

Type: 93035 Ø 27 mm, height: 11 mm

Ref. No.: 509118



G9 lampholder

Casing: ceramic, cover plate: LCP, natural

T270, nominal rating: 2/250

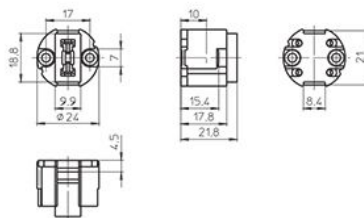
Push-in twin terminals for stranded conductors with ferrule on bare end of core Ø 1.4–1.8 mm

Fixing holes for screws M3

Weight: 14.4 g, unit: 1000 pcs.

Type: 33500

Ref. No.: 502004



Cover caps for G9 lampholder 502004

Material: LCP, natural

External thread 28x2 IEC 60399

Fixing holes for screws M3

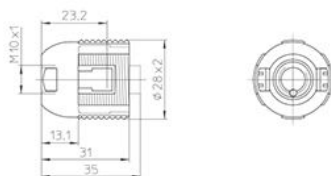
Weight: 8.7/4.6 g, unit: 1000 pcs.

Type: 83310 female nipple: M10x1

Ref. No.: 505951

Type: 97268 moulded thread: M10x1

Ref. No.: 501942



Screw ring

For components with external thread 28x2

Material: PPS, black

Ø 34 mm, height: 7.5 mm

Weight: 1.9 g, unit: 1000 pcs.

Type: 05202

Ref. No.: 502503



GU10, GZ10 Lampholders, Accessories

For mains voltage halogen incandescent lamps

GU10, GZ10 lampholders

Casing: LCP, natural, T270, nominal rating: 2/250

Push-in twin terminals for stranded conductors with ferrule on bare end of core \varnothing 1.4–1.8 mm

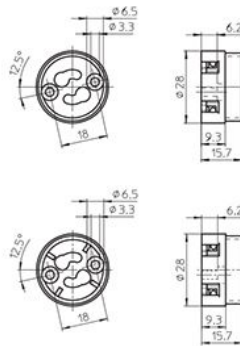
Fixing holes for screws M3

Weight: 7 g, unit: 1000 pcs.

Type: 31000/31010

Ref. No.: 108979 GU10, GZ10 lampholder

Ref. No.: 109007 GU10 lampholder



GU10, GZ10 lampholders

For luminaires of protection class II

Casing: LCP, natural, T270, nominal rating: 2/250

Push-in twin terminals for stranded conductors with ferrule on bare end of core \varnothing 1.4–1.8 mm

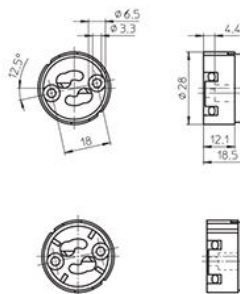
Fixing holes for screws M3

Weight: 8 g, unit: 1000 pcs.

Type: 31020/31030

Ref. No.: 502111 GU10, GZ10 lampholder

Ref. No.: 502112 GU10 lampholder



Cover cap for GU10, GZ10 lampholders type 310

Material: PA GF, black

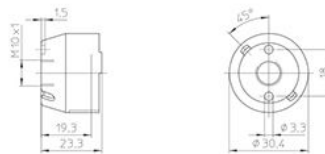
Moulded thread: M10x1

Fixing holes for screws M3

Weight: 3.4 g, unit: 1000 pcs.

Type: 97244

Ref. No.: 109411



Cover cap for lampholders 502111/502112

External thread 32x2

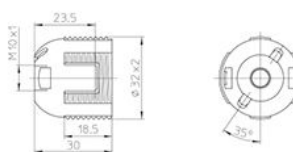
Material: LCP, natural

Moulded thread: M10x1

Weight: 6 g, unit: 1000 pcs.

Type: 97320

Ref. No.: 502064



1

2

3

4

5

6

7

8

9

10

Lampholders for Halogen Incandescent Lamps

Screw ring

For components with external thread 32x2

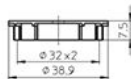
Ø 38.9 mm, height: 7.5 mm

Material: PPS, black

Weight: 2.3 g, unit: 1000 pcs.

Type: 97282

Ref. No.: 502416



GU10, GZ10 lampholders

Casing: steatite, cover plate: PPS

T240, nominal rating: 2/250

Push-in terminals for stranded conductors with ferrule on bare end of core Ø 1.5–1.8 mm

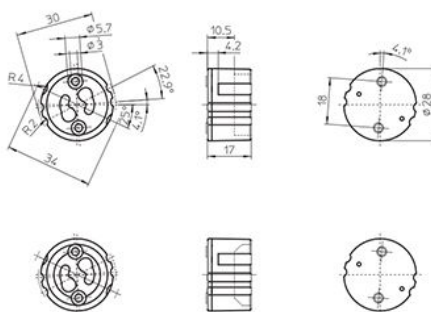
Fixing holes for screws M3

Weight: 13.6/14 g, unit: 500 pcs.

Type: 31755/31705

Ref. No.: 535034 GU10, GZ10 lampholder

Ref. No.: 535032 GU10 lampholder



Cover caps for lampholders type 315/317

Material: PBT GF

Front fixing holes for self-tapping

screws acc. to ISO 1481/7049-ST2.9-C/F

Cord grip: twist and block (for single-core leads)

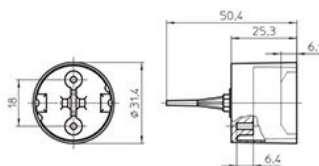
Rear lead exit: max. Ø 2.5 mm

Weight: 6.9 g, unit: 500 pcs.

Type: 97765

Ref. No.: 536164 black

Ref. No.: 543615 grey



GU/GZ10 Lampholder set

For luminaires of protection class II

Casing lampholder: steatite, cover plate: PPS

T240, nominal value: 2/250

Cover cap with cord grip: PBT GF

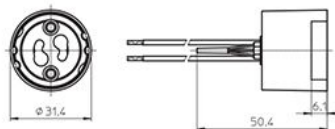
Leads: Cu, stranded conductors

0.5 mm², double FEP-insulation, length: 150 mm

Weight: 25 g, unit: 500 pcs.

Type: 31760

Ref. No. 554662



R7s Ceramic Lampholders

For mains voltage halogen incandescent lamps

The luminaire design must ensure protection from electric shock as well as sufficient creepage distances and clearances from live parts on the back of lampholder.

If the central hole on the bracket is used for fixing there must be a support within the luminaire to ensure that the bracket cannot be deformed.

Partly enclosed R7s lampholder

Casing: ceramic, T350

Contact pin: Cu, silver bulb

Nominal rating: 8/250

Leads: Cu nickel-plated, stranded conductors

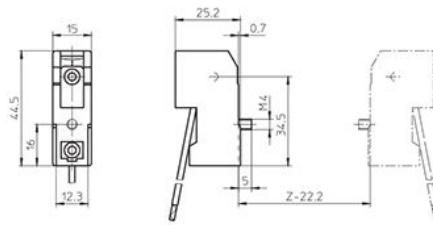
0.75 mm², PTFE-insulation, length: 200 mm

With fixing screw M4

Weight: 25.4 g, unit: 400 pcs.

Type: 32300

Ref. No.: 100912



Partly enclosed R7s lampholder

Casing: ceramic, T350

Contact pin: Cu, silver bulb

Nominal rating: 8/250

Leads: Cu nickel-plated, stranded conductors

0.75 mm², PTFE-insulation, length: 200 mm

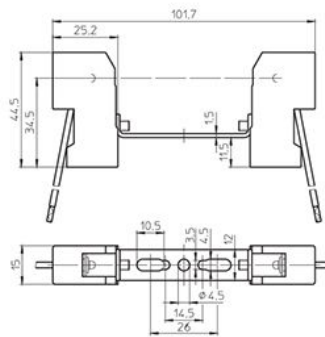
Oblong holes for screws M3/M4

Central hole for screw M4

Weight: 59.3 g, unit: 200 pcs.

Type: 32390 contact distance: 74.9 mm

Ref. No.: 107213



Partly enclosed R7s lampholder

Casing: ceramic, T350

Contact pin: Cu, silver bulb

Nominal rating: 8/250

Leads: Cu nickel-plated, stranded conductors

0.75 mm², PTFE-insulation, length: 200 mm

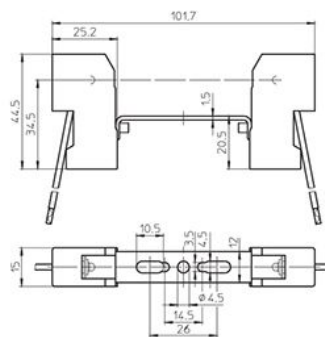
Oblong holes for screws M3/M4

Central hole for screw M4

Weight: 61 g, unit: 200 pcs.

Type: 32391 contact distance: 74.9 mm

Ref. No.: 107214



Partly enclosed R7s lampholder

Casing: ceramic, T350

Contact pin: Cu, silver bulb

Nominal rating: 8/250

Leads: Cu nickel-plated, stranded conductors

0.75 mm², PTFE-insulation, length: 200 mm

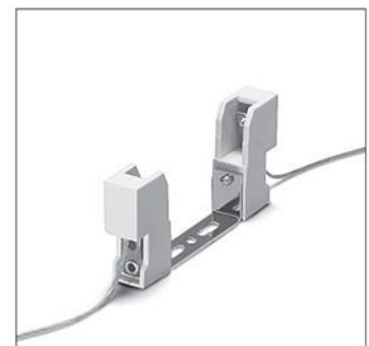
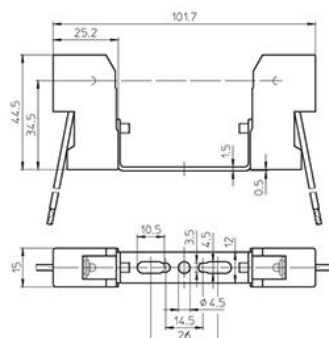
Oblong holes for screws M3/M4

Central hole for screw M4

Weight: 61.3 g, unit: 200 pcs.

Type: 32395 contact distance: 74.9 mm

Ref. No.: 107215



1

2

3

4

5

6

7

8

9

10

Lampholders for Halogen Incandescent Lamps

Partly enclosed R7s lampholder

Casing: ceramic, T350

Contact pin: Cu, silver bulb

Nominal rating: 8/250

Leads: Cu nickel-plated, stranded conductors
0.75 mm², PTFE-insulation, length: 200 mm

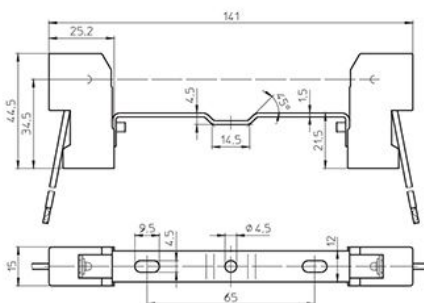
Oblong holes for screws M4

Central hole for screw M4

Weight: 64.9 g, unit: 200 pcs.

Type: 32310 contact distance: 114.2 mm

Ref. No.: 107195



Partly enclosed R7s lampholder

Casing: ceramic, T350

Contact pin: Cu, silver bulb

Nominal rating: 8/250

Leads: Cu nickel-plated, stranded conductors
0.75 mm², PTFE-insulation, length: 200 mm

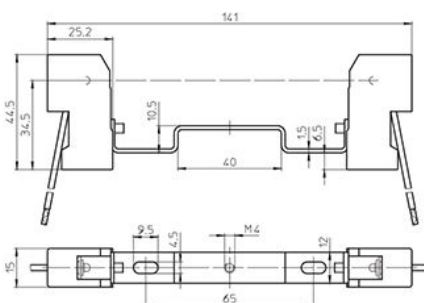
Oblong holes for screws M4

Central threaded bush M4

Weight: 66.5 g, unit: 200 pcs.

Type: 32320 contact distance: 114.2 mm

Ref. No.: 107194



Partly enclosed R7s lampholder

Casing: ceramic, T350

Contact pin: Cu, silver bulb

Nominal rating: 8/250

Leads: Cu nickel-plated, stranded conductors
0.75 mm², PTFE-insulation, length: 200 mm

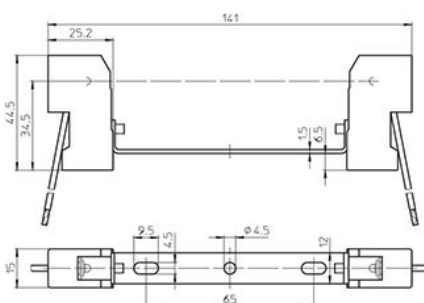
Oblong holes for screws M4

Central hole for screw M4

Weight: 65.4 g, unit: 200 pcs.

Type: 32340 contact distance: 114.2 mm

Ref. No.: 107193



Partly enclosed R7s lampholder

Casing: ceramic, T350

Contact pin: Cu, silver bulb

Nominal rating: 8/250

Leads: Cu nickel-plated, stranded conductors
0.75 mm², PTFE-insulation, length: 200 mm

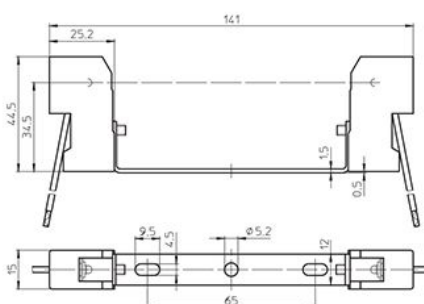
Oblong holes for screws M4

Central hole for screw M5

Weight: 66.7 g, unit: 200 pcs.

Type: 32360 contact distance: 114.2 mm

Ref. No.: 107192



Partly enclosed R7s lampholder

Casing: ceramic, T350

Contact pin: Cu, silver bulb

Nominal rating: 8/250

Leads: Cu nickel-plated, stranded conductors
0.75 mm², PTFE-insulation, length: 200 mm

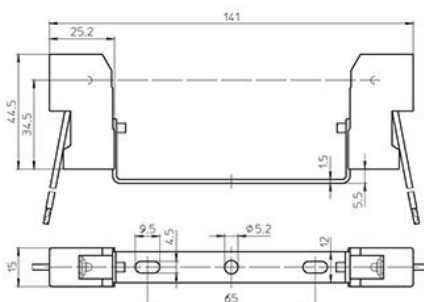
Oblong holes for screws M4

Central hole for screw M5

Weight: 71.3 g, unit: 200 pcs.

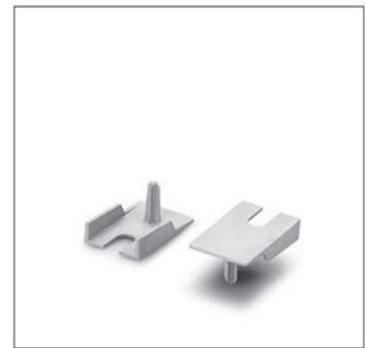
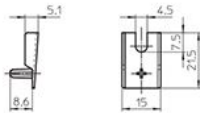
Type: 32380 contact distance: 114.2 mm

Ref. No.: 109497



Lampholders for Halogen Incandescent Lamps

Protection cap for R7s lampholders
 For push-fit onto lampholders type 323
 Protection against electrical shock
 on the rear side of the lampholder
 Lampholder with assembled protection cap on request
 Material: LCP, natural
 Weight: 0.7 g, unit: 1000 pcs.
 Type: 97528
Ref. No.: 507592



1

2

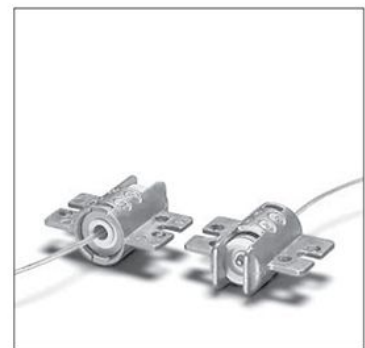
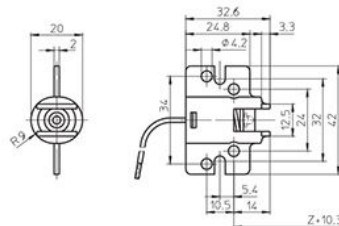
3

4

R7s Metal Lampholders

For mains voltage halogen incandescent lamps

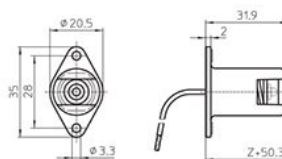
R7s lampholder
 Casing: Al, T300, contact pin: Ni
 Nominal rating: 10/250
 Lead: Cu nickel-plated, stranded conductors
 0.75 mm², PTFE-insulation, length: 300 mm
 Fixing flange
 Fixing holes for screws M4
 Weight: 21 g, unit: 50 pcs.
 Type: 30023
Ref. No.: 100616



5

6

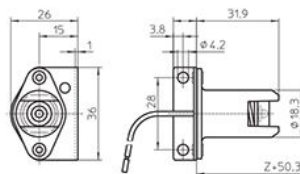
R7s lampholder
 Casing: Al, T300, contact pin: Cu, silver bulb
 Nominal rating: 10/250
 Lead: Cu nickel-plated, stranded conductors
 1 mm², PTFE-insulation, length: 300 mm
 Fixing flange
 Fixing holes for screws M3
 Weight: 15.7 g, unit: 1000 pcs.
 Type: 30523
Ref. No.: 100710



7

8

R7s lampholder
 Casing: Al, T300, contact pin: Cu, silver bulb
 Nominal rating: 10/250
 Lead: Cu nickel-plated, stranded conductors
 1 mm², PTFE-insulation, length: 350 mm
 Fixing bracket
 Fixing holes for screws M4
 Weight: 24.8 g, unit: 500 pcs.
 Type: 30550
Ref. No.: 100720



9

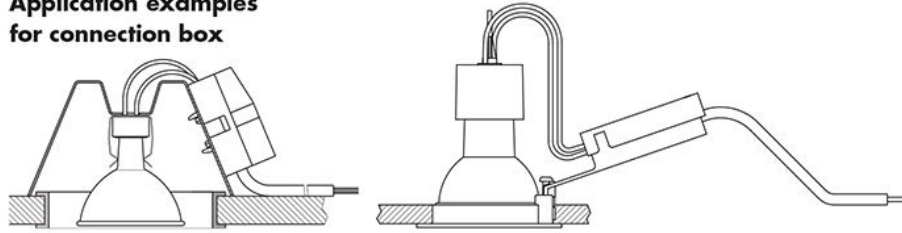
10

Connection Boxes

For connecting downlights in false ceilings according to standards

The luminaire manufacturer is responsible for the right choice of accessories.

Application examples for connection box



Connection box

Material: PC, black

Split pins for wall thickness 0.5–1.5 mm

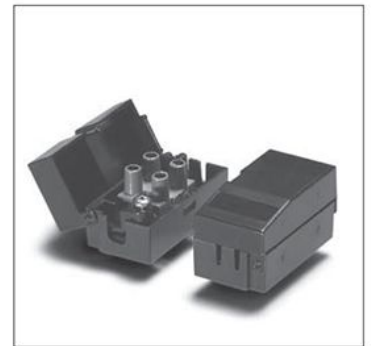
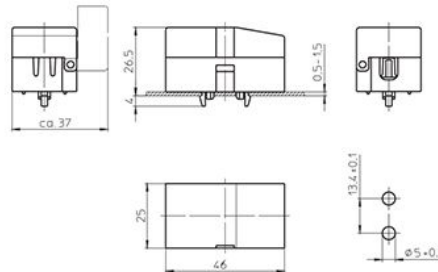
With integrated 2-pole terminal block and contact bushings: 2.5 mm²

With cord grip

Weight: 18 g, unit: 500 pcs.

Type: 85007

Ref. No.: 108940



Connection boxes

Material: PA, black

With integrated 2-pole terminal block for leads with cross-section: 0.5–2.5 mm²

Cord grip on primary side for leads

H03VV-F/H05VV-F (Ø 5–7 mm) and single-core Ø 3–7 mm

Cord grip on secondary side for

single-core Teflon leads up to Ø 3 mm

and single-core PVC leads up to Ø 2.2 mm

Weight: 21.8/20.1 g, unit: 500 pcs.

Type: 85011/85012 plastic bracket

with locking screw

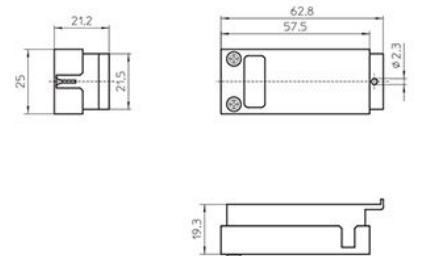
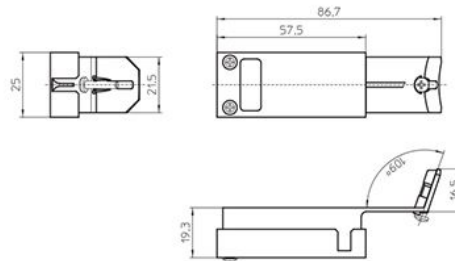
Ref. No.: 543048 12 V

Ref. No.: 543049 230 V

Type: 85013/85014 for fixing screw

Ref. No.: 543053 12 V

Ref. No.: 543054 230 V



Connection boxes

With plastic bracket with locking screw

Material: PA, black

With integrated 3-pole terminal block for leads with cross-section: 0.75–4 mm²

Cord grip on primary side for leads Ø 2.5–11 mm

Cord grip on secondary side for

single-core Teflon leads up to Ø 1.8 mm

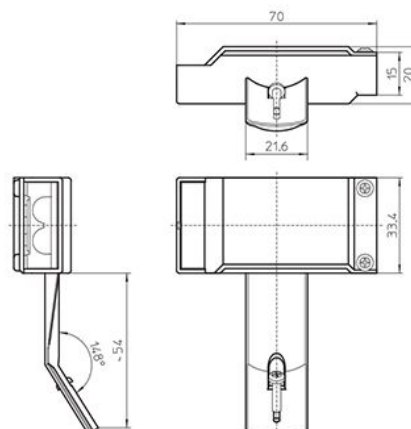
and single-core PVC leads up to Ø 2.2 mm

Weight: 28.7 g, unit: 500 pcs.

Type: 85015/85016

Ref. No.: 543058 12 V

Ref. No.: 543059 230 V



Connectors

Modular system for various assembly options
Connectors can be delivered pre-assembled
with lampholder and lead assemblies

Male and female plug
Nominal rating: 7/600
For cable: 0.3–0.9 mm²
For crimping on the end of lead
Material: brass, tinned
Weight: 0.1 g, unit: 5000 pcs.
Type: 93088 male plug
Ref. No.: 505251
Type: 93089 female plug
Ref. No.: 506807



Male and female casing
For male and female plug
For push-fit assembly
Material: PA, natural
Weight: 0.8/1 g, unit: 2500 pcs.
Type: 97355 male casing
Ref. No.: 509295 UL94V-0
Ref. No.: 508562 UL94V-2
Type: 97356 female casing
Ref. No.: 509296 UL94V-0
Ref. No.: 508563 UL94V-2



1

2

3

4

5

6

7

8

9

10