

## G13 Push-through Lampholders

### For fluorescent lamps T8 (T26), T12 (T38)

Lampholders with integrated starter holder have push-in twin terminals for the lamp circuit and push-in terminals for the starter circuit.

Pin support for reliable contact

Max. permitted temperature  $T_m$

on the rear side of the lampholder: 110 °C

G13 push-through lampholders for lamps T8 and T12

Lamp axis: 23 mm

Casing: PC, white, frontplate: PBT GF, white

T140, nominal rating: 2/500

Push-in terminals: 0.5–1 mm<sup>2</sup>

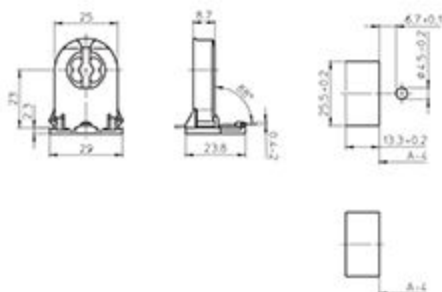
Lateral fixing clips for wall thickness 0.4–2 mm

Weight: 6 g, unit: 1000 pcs.

Type: 27700/27701

**Ref. No.: 109330** with stop

**Ref. No.: 109331** without stop



G13 Rotoclic push-through lampholders

for lamps T8 and T12

Lamp axis: 23 mm

Casing: PC, white, frontplate: PBT GF, white

T140, nominal rating: 2/500

Push-in terminals: 0.5–1 mm<sup>2</sup>

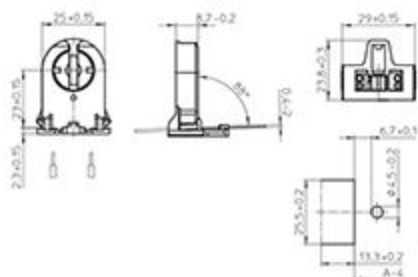
Lateral fixing clips for wall thickness 0.4–2 mm

Weight: 6.8 g, unit: 1000 pcs.

Type: 27700/27701

**Ref. No.: 546641** with stop

**Ref. No.: 546642** without stop



G13 push-through lampholders for lamps T8

With starter attachment

Lamp axis: 23 mm

Casing: PC, white, frontplate: PBT GF, white

T140, nominal rating: 2/500

Push-in terminals: 0.5–1 mm<sup>2</sup>

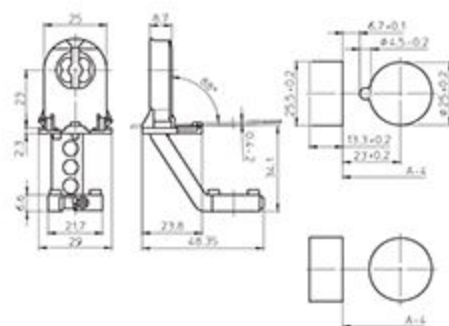
Lateral fixing clips for wall thickness 0.4–2 mm

Weight: 10.4 g, unit: 500 pcs.

Type: 27800/27801

**Ref. No.: 109332** with stop

**Ref. No.: 109335** without stop



G13 Rotoclic push-through lampholders

for lamps T8, with starter attachment

Lamp axis: 23 mm

Casing: PC, white, frontplate: PBT GF, white

T140, nominal rating: 2/500

Push-in terminals: 0.5–1 mm<sup>2</sup>

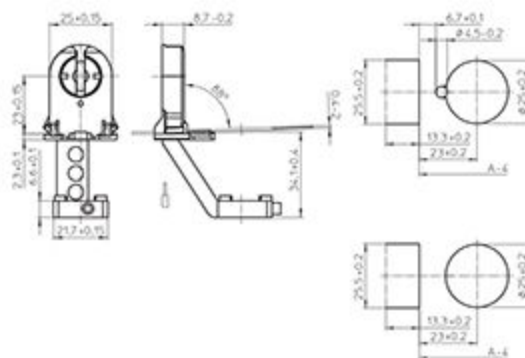
Lateral fixing clips for wall thickness 0.4–2 mm

Weight: 10.4 g, unit: 500 pcs.

Type: 27800/27801

**Ref. No.: 546647** with stop

**Ref. No.: 546648** without stop



1

2

3

4

5

6

7

8

9

10

## Starter Holders and Terminal Blocks, Accessories

G13 push-through lampholders for lamps T8, T12

Lamp axis: 17 mm

Casing: PC, white, frontplate: PBT GF, white

T140, nominal rating: 2/500

Push-in terminals: 0.5–1 mm<sup>2</sup>

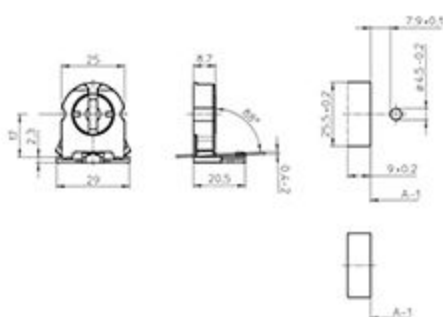
Lateral fixing clips for wall thickness 0.4–2 mm

Weight: 5,4 g, unit: 1000 pcs.

Type: 26300/26310

**Ref. No.: 551271** with stop

**Ref. No.: 551272** without stop



G13 push-through lampholders for lamps T8 and T12

With starter attachment

Lamp axis: 22.5 mm

Casing: PC, white, rotor: PBT, white

T130, nominal rating: 2/500

Push-in terminals: 0.5–1 mm<sup>2</sup>

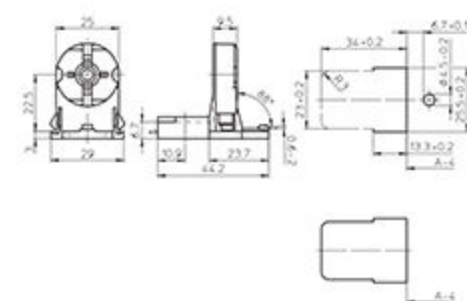
Lateral fixing clips for wall thickness 0.6–2 mm

Weight: 9,5 g, unit: 500 pcs.

Type: 27820/27821

**Ref. No.: 100579** with stop

**Ref. No.: 100581** without stop



G13 push-through lampholders for lamps T8 and T12

Lamp axis: 31 mm

Casing: PC, white, frontplate: PBT GF, white

T140, nominal rating: 2/500

Push-in terminals: 0.5–1 mm<sup>2</sup>

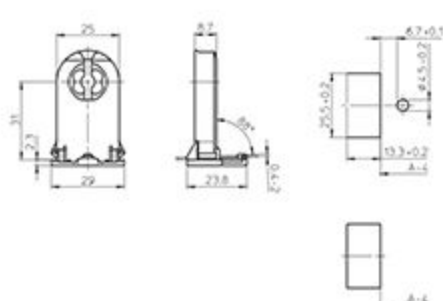
Lateral fixing clips for wall thickness 0.4–2 mm

Weight: 7,8 g, unit: 1000 pcs.

Type: 28500/28501

**Ref. No.: 109338** with stop

**Ref. No.: 109339** without stop



G13 push-through lampholders for lamps T8 and T12

With starter attachment

Lamp axis: 31 mm

Casing: PC, white, frontplate: PBT GF, white

T140, nominal rating: 2/500

Push-in terminals: 0.5–1 mm<sup>2</sup>

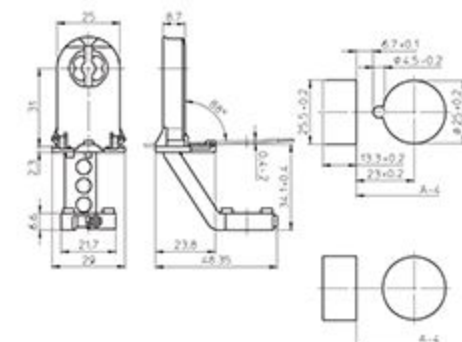
Lateral fixing clips for wall thickness 0.4–2 mm

Weight: 10.3/10.1 g, unit: 500 pcs.

Type: 28600/28601

**Ref. No.: 109340** with stop

**Ref. No.: 109341** without stop



G13 push-through lampholders for lamps T8 and T12

Lamp axis: 31 mm

Casing: PC, white, rotor: PBT GF, white

T130, nominal rating: 2/500

Push-in terminals: 0.5–1 mm<sup>2</sup>

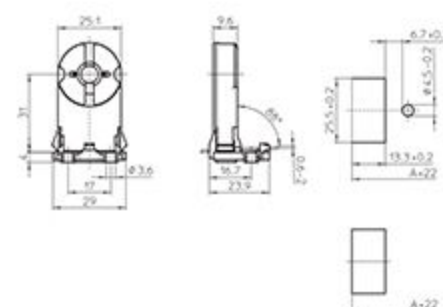
Lateral fixing clips for wall thickness 0.6–2 mm

Weight: 9,6 g, unit: 500 pcs.

Type: 28740/28741

**Ref. No.: 542983** with stop

**Ref. No.: 542984** without stop



# Lampholders and Accessories for T Lamps

G13 push-through lampholders for lamps T8 and T12

Lamp axis: 31 mm

Casing: PC, white, rotor: PBT, white

T130, nominal rating: 2/500

Push-in terminals: 0.5–1 mm<sup>2</sup>

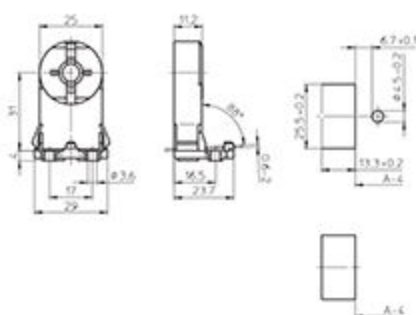
Lateral fixing clips for wall thickness 0.6–2 mm

Weight: 9.9 g, unit: 1000 pcs.

Type: 28500/28501

**Ref. No.: 100591** with stop

**Ref. No.: 100593** without stop



1

2

3

## G13 Push-fit Lampholders

For fluorescent lamps T8 (T26), T12 (T38)

Lampholders with integrated starter holder are equipped with big rotor and have push-in twin terminals for the lamp circuit and push-in terminals for the starter circuit. Pin support for reliable contact

Casing: PC, white, frontplate/rotor: PBT GF, white  
Max. permitted temperature  $T_m$  on the rear side of the lampholder: 110 °C  
T-Marking acc. to IEC  
IP50 version: push-fit foot with gasket

G13 Rotoclic push-fit lampholders for lamps T8 and T12

T140, nominal rating: 2/500, suitable for Top Test

Lateral push-in terminals: 0.5–1 mm<sup>2</sup>

Push-fit foot for luminaire cut-out 13.3x25.5 mm with wall thickness 0.6–1 mm

Lampholder foot/luminaire: IP40 (537135: IP50)

Weight: 5.9/5.9/6/6 g, unit: 1000 pcs.

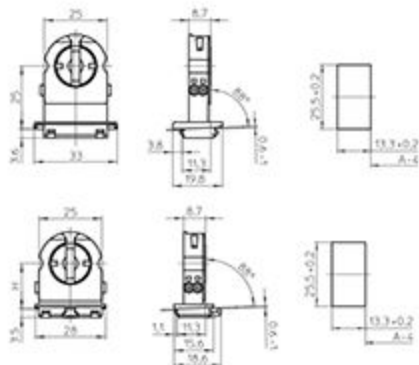
Type: 24100/24110/24170/24150

**Ref. No.: 537132** lamp axis H: 25 mm

**Ref. No.: 537135** lamp axis H: 25 mm, IP50

**Ref. No.: 537150** lamp axis H: 21 mm

**Ref. No.: 537144** lamp axis H: 18 mm



5

6

G13 Rotoclic push-fit lampholders for lamps T8 and T12

T140, nominal rating: 2/500, suitable for Top Test

Lateral push-in terminals: 0.5–1 mm<sup>2</sup>

Push-fit foot for luminaire cut-out 10x20 mm with wall thickness 0.6–1 mm

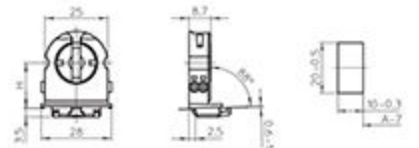
Lampholder foot/luminaire: IP40

Weight: 5.7/6 g, unit: 1000 pcs.

Type: 24120/24160

**Ref. No.: 537138** lamp axis H: 25 mm

**Ref. No.: 537147** lamp axis H: 21 mm



7

8

G13 Rotoclic push-fit lampholders for lamps T8

T140, nominal rating: 2/500

Base push-in terminals: 0.5–1 mm<sup>2</sup>

Base split pins for wall thickness up to 1.2 mm

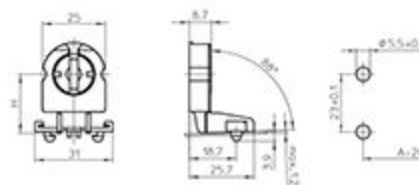
Lampholder foot/luminaire: IP40

Weight: 5.9/5.7 g, unit: 1000 pcs.

Type: 24360/24350

**Ref. No.: 537155** lamp axis H: 30 mm

**Ref. No.: 537153** lamp axis H: 23.5 mm



9

10

## Lampholders and Accessories for T Lamps

G13 Rotoclic push-fit lampholders for lamps T8  
T140, nominal rating: 2/500

Suitable for Top Test

Lateral push-in terminals: 0.5–1 mm<sup>2</sup>

Base split pins for wall thickness up to 1.2 mm

Lampholder foot/luminaire: IP40

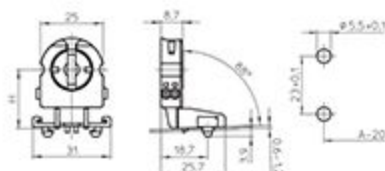
Weight: 6/5.8/5.3 g, unit: 1000 pcs.

Type: 23360/23350/23370

**Ref. No.: 537160** lamp axis H: 30 mm

**Ref. No.: 537157** lamp axis H: 23.5 mm

**Ref. No.: 539128** lamp axis H: 18 mm



G13 push-fit lampholders with starter attachment  
for lamps T8

T130, nominal rating: 2/250

Base push-in terminals: 0.5–1 mm<sup>2</sup>

Base split pins for wall thickness up to 1.2 mm

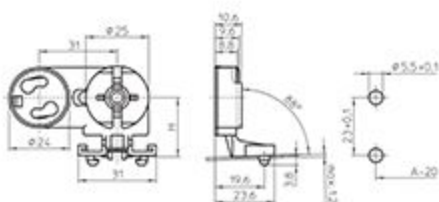
Lampholder foot/luminaire: IP40

Weight: 9.7/9.5 g, unit: 1000 pcs.

Type: 27460/27450

**Ref. No.: 100559** lamp axis H: 30 mm

**Ref. No.: 100557** lamp axis H: 23.5 mm



G13 push-fit lampholders for lamps T8 and T12  
Lamp axis H: 25 mm

T130, nominal rating: 2/500

Base push-in terminals: 0.5–1 mm<sup>2</sup>

Push-fit foot for luminaire cut-out 13.3x25.5 mm  
with wall thickness 0.5–1 mm

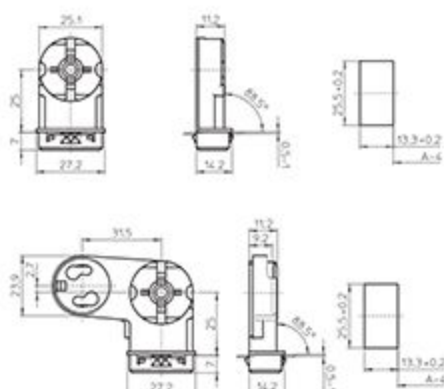
Lampholder foot/luminaire: IP40

Weight: 5/11 g, unit: 500 pcs.

Type: 28100/28200

**Ref. No.: 100585**

**Ref. No.: 100588** with starter attachment



G13 push-fit lampholder for lamps T8

For the automatic luminaire wiring

Lamp axis: 31 mm

T130, nominal rating: 2/500

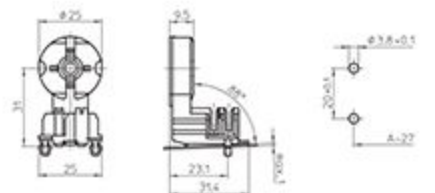
IDC terminals for leads H05V-U 0.5

Base split pins for wall thickness up to 1 mm

Weight: 7.2 g, unit: 1000 pcs.

Type: 28310

**Ref. No.: 506007**



G13 push-fit lampholder for lamps T8

For the automatic luminaire wiring

Lamp axis: 26.5 mm

T130, nominal rating: 2/500

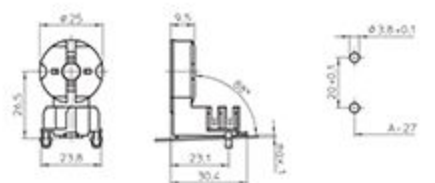
IDC terminals for leads H05V-U 0.5

Base split pins for wall thickness up to 1 mm

Weight: 7.1 g, unit: 1000 pcs.

Type: 28315

**Ref. No.: 504202**



# Lampholders and Accessories for T Lamps

G13 push-fit lampholder for lamps T8

For the automatic luminaire wiring

Lamp axis: 31 mm

T130, nominal rating: 2/500

IDC terminals for leads H05V-U 0.5

Lateral push-in twin terminals: 0.5–1 mm<sup>2</sup>

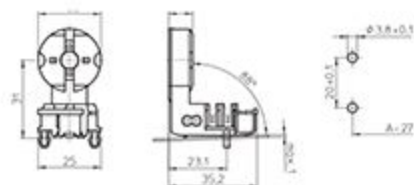
Base split pins for wall thickness up to 1 mm

Front cable holder for up to 3 individual conductors

Weight: 8 g, unit: 1000 pcs.

Type: 28330

**Ref. No.: 508423**



1

2

G13 push-fit lampholders

Lamp axis: 25 mm

T130, nominal rating: 5/500

Lateral and base push-in terminals: 0.5–1 mm<sup>2</sup>

Push-fit foot for luminaire cut-out 10x20 mm

for wall thickness 0.4–1 mm

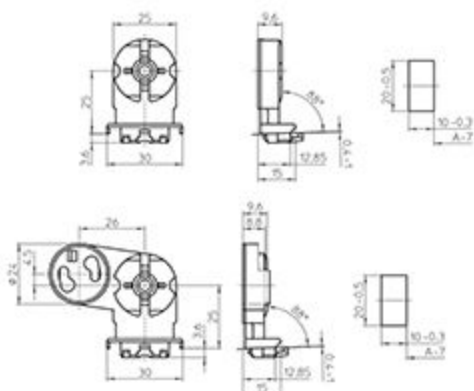
Weight: 6/8.5 g, unit: 500 pcs.

Type: 28921/28920

**Ref. No.: 108438** for lamps T8 and T12

**Ref. No.: 108437** for lamps T8

with starter attachment



3

4

5

6

7

8

9

10

## G13 Push-fit Twin Lampholders, Accessories

### For fluorescent lamps T8 (T26), T12 (T38)

Casing: PC, white, rotor: PBT GF, white  
 Pin support for reliable contact  
 Max. permitted temperature  $T_m$   
 on the rear side of the lampholder: 110 °C

G13 twin lampholder for lamps T8

Lamp axis: 22 mm

Distance between two lamp axes: 50 mm

T130, nominal rating: 2/500

Base wiring

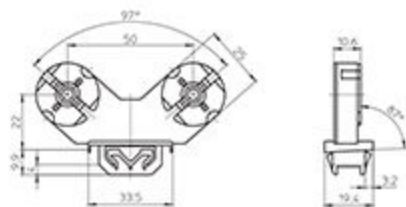
Push-in terminals: 0.5–1 mm<sup>2</sup>

Push-fit foot for wall thickness 1 mm

Weight: 14 g, unit: 400 pcs.

Type: 22900

**Ref. No.: 108984**



G13 twin lampholders for lamps T8 and T12

Lamp axis: 25 mm

Distance between two lamp axes: 76 mm

T130, nominal rating: 2/500

Base push-in twin terminals: 0.5–1 mm<sup>2</sup> (lamp circuit)

Base push-in terminals: 0.5–1 mm<sup>2</sup> (starter circuit)

Push-fit foot for wall thickness 0.6–1 mm

Weight: 21 g, unit: 200/500 pcs.

Type: 22604/22602 without starter attachment

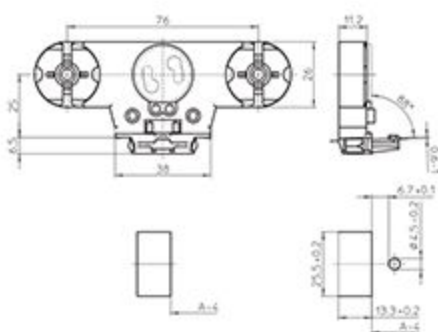
**Ref. No.: 108816** with stop

**Ref. No.: 100487** without stop

Type: 22600/22601 with starter attachment

**Ref. No.: 100484** with stop

**Ref. No.: 100486** without stop



G13 twin lampholders for lamps T8 and T12

Lamp axis: 31.5 mm

Distance between two lamp axes: 76 mm

T130, nominal rating: 2/500

For wiring inserts 108777/108778

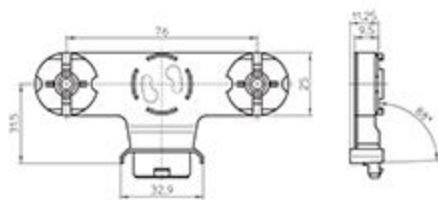
and 545261/545262

Weight: 17 g, unit: 250 pcs.

Type: 22800/22801

**Ref. No.: 108773** with starter attachment

**Ref. No.: 108775** without starter attachment



Wiring inserts with push-fit foot

For G13 twin lampholders 108773/108775

Material: PC, white

Push-in terminals: 0.5 mm<sup>2</sup>

For the automatic luminaire wiring:

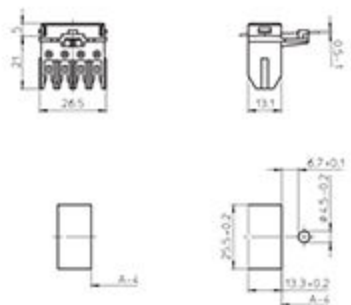
IDC terminals for leads H05V-U 0.5

Weight: 5.3 g, unit: 500 pcs.

Type: 22850/22851

**Ref. No.: 108777** with stop

**Ref. No.: 108778** without stop



Wiring inserts with push-fit foot  
For G13 twin lampholders 108773/108775

Material: PC, white

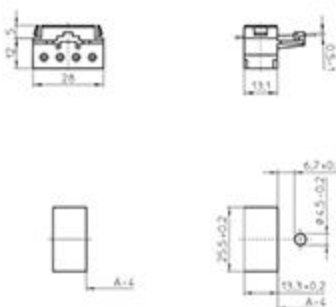
Push-in terminals: 0.5–1 mm<sup>2</sup>

Weight: 4.4 g, unit: 500 pcs.

Type: 22860/22861

**Ref. No.: 545261** with stop

**Ref. No.: 545262** without stop



1

2

## G13 Built-in Lampholders

**For fluorescent lamps T8 (T26), T12 (T38)**

Lampholders with integrated starter holder are equipped with big rotor and have push-in twin terminals for the lamp circuit and push-in terminals for the starter circuit.

Pin support for reliable contact

(except for type 485)

Casing: PC, white, frontplate/rotor: PBT GF, white

Max. permitted temperature  $T_m$

on the rear side of the lampholder: 110 °C

T-Marking acc. to IEC

G13 built-in lampholders for lamps T8 and T12

Lampholder thickness: 13 mm

T140, nominal rating: 2/500

Push-in terminals: 0.5–1 mm<sup>2</sup>

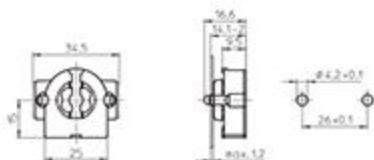
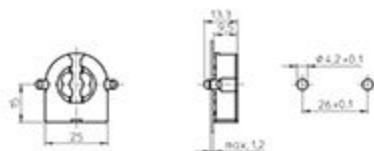
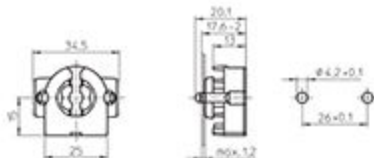
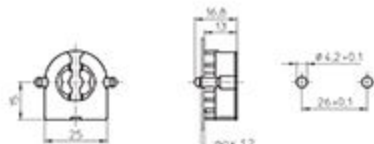
Rear split pins for wall thickness up to 1.2 mm

Weight: 4.6/5.4 g, unit: 1000 pcs.

Type: 47105/47106

**Ref. No.: 509152**

**Ref. No.: 509154** with spring adjustment



G13 built-in lampholders for lamps T8 and T12

Lampholder thickness: 9.5 mm

T140, nominal rating: 2/500

Push-in terminals: 0.5–1 mm<sup>2</sup>

Rear split pins for wall thickness up to 1.2 mm

Weight: 4.4/5.1 g, unit: 1000 pcs.

Type: 47505/47506

**Ref. No.: 509162**

**Ref. No.: 509164** with spring adjustment



G13 built-in lampholder for lamps T8 and T12

Lampholder thickness: 10.5 mm

T140, nominal rating: 2/500

Push-in terminals: 0.5–1 mm<sup>2</sup>

Weight: 4.6 g, unit: 1000 pcs.

Type: 47304

**Ref. No.: 509156**



3

4

5

6

7

8

9

10

## Lampholders and Accessories for T Lamps

G13 Rotoclic built-in lampholders for lamps T8 and T12

T140, nominal rating: 2/500

Base push-in terminals: 0.5–1 mm<sup>2</sup>

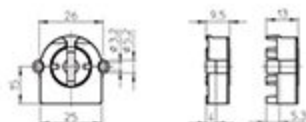
Fixing holes  $\varnothing$  3.2 mm

Weight: 5 g, unit: 1000 pcs.

Type: 49100/49500

**Ref. No.: 537165** lampholder thickness: 13 mm

**Ref. No.: 537173** lampholder thickness: 9.5 mm



G13 built-in lampholders with spring adjustment for lamps T8 and T12

T130, nominal rating: 2/500

Base push-in terminals: 0.5–1 mm<sup>2</sup>

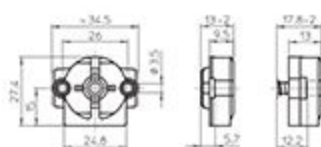
Fixing holes for screws M3

Weight: 6/5.5 g, unit: 1000 pcs.

Type: 47102/47502

**Ref. No.: 101681** lampholder thickness: 13 mm

**Ref. No.: 101740** lampholder thickness: 9.5 mm



G13 Rotoclic built-in lampholders for lamps T8 and T12

T140, nominal rating: 2/500

Lateral push-in terminals: 0.5–1 mm<sup>2</sup>

Suitable for Top Test

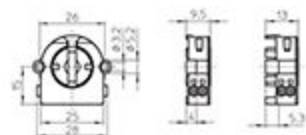
Fixing holes  $\varnothing$  3.2 mm

Weight: 5/4.7 g, unit: 1000 pcs.

Type: 59100/59500

**Ref. No.: 537181** lampholder thickness: 13 mm

**Ref. No.: 537205** lampholder thickness: 9.5 mm



G13 built-in lampholders with starter attachment for lamps T8 and T12

T130, nominal rating: 2/500

Base push-in terminals: 0.5–1 mm<sup>2</sup>

Fixing holes for screws M3

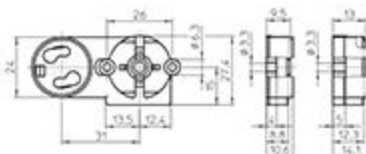
Weight: 8.7/8 g, unit: 1000 pcs.

Type: 47200 lampholder thickness: 13 mm

**Ref. No.: 101706**

Type: 47600 lampholder thickness: 9.5 mm

**Ref. No.: 101765**



G13 Rotoclic built-in lampholders for lamps T8 and T12

T140, nominal rating: 2/500

Base push-in terminals: 0.5–1 mm<sup>2</sup>

Rear split pins for wall thickness up to 1.2 mm

Weight: 5.1/5.9/5/5.5 g, unit: 1000 pcs.

Type: 49105/49106 lampholder thickness: 13 mm

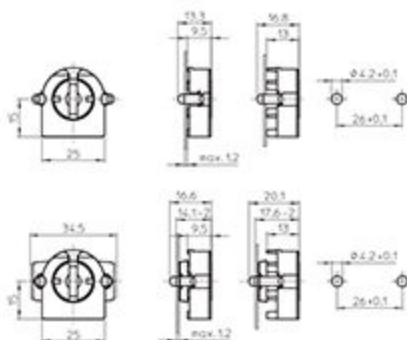
**Ref. No.: 537166**

**Ref. No.: 537167** with spring adjustment

Type: 49505/49506 lampholder thickness: 9.5 mm

**Ref. No.: 537174**

**Ref. No.: 537175** with spring adjustment





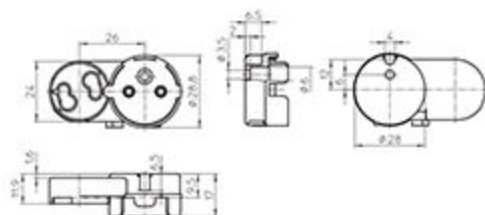


## Lampholders and Accessories for T Lamps

### G13 lampholder with starter attachment

For push-fitting onto lamps T8  
Lampholder thickness: 9.5 mm  
Casing: PC, white, T110  
Front cover plate: PBT GF, white  
Nominal rating: 2/250  
Push-in terminals: 0.5–1 mm<sup>2</sup>  
Fixing hole for screw M3  
Weight: 8.1 g, unit: 1000 pcs.  
Type: 47920

**Ref. No.: 101785**

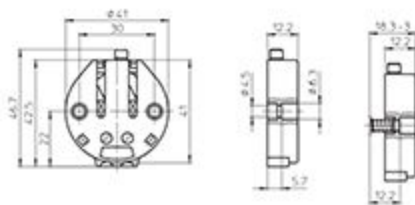


### G13 builtin lampholder with lamp lock

for lamps T8 and T12  
Contacts on both sides  
Casing: PBT GF, white, T130, nominal rating: 2/500  
Screw terminals: 0.5–2.5 mm<sup>2</sup>  
Fixing holes for screws M3  
Weight: 12.9/18 g, unit: 500 pcs.  
Type: 46100/46101

**Ref. No.: 101643**

**Ref. No.: 101647** with spring adjustment

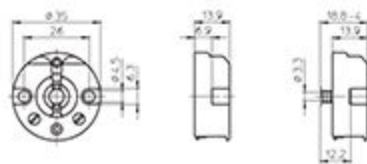


### G13 builtin lampholders for lamps T8 and T12

Casing: PC, white, T110  
Nominal rating: 2/500  
Screw terminals: 0.5–2.5 mm<sup>2</sup>  
Fixing holes for screws M3  
5 rotation stops  
Weight: 9/10.6 g, unit: 1000 pcs.  
Type: 48500/48501

**Ref. No.: 101787**

**Ref. No.: 101789** with spring adjustment



## G13 Surface-mounted Lampholders

For fluorescent lamps T8 (T26), T12 (T38)

Pin support for reliable contact  
(except for type 485)  
Max. permitted temperature  $T_m$   
on the rear side of the lampholder: 110 °C

G13 surface-mounted lampholder for lamps T8 and T12

Lamp axis: 25.5 mm

Casing: PC, white, rotor: PBT GF, white, T130

Nominal rating: 2/500

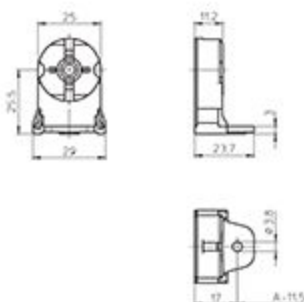
Push-in twin terminals: 0.5–1 mm<sup>2</sup>

Fixing hole:  $\varnothing$  3.8 mm

Weight: 7.2 g, unit: 500 pcs.

Type: 27722

Ref. No.: 100572



G13 surface-mounted lampholder with starter attachment  
for lamps T8 and T12

Lamp axis: 25.5 mm

Casing: PC, white, rotor: PBT GF, white, T130

Nominal rating: 2/500

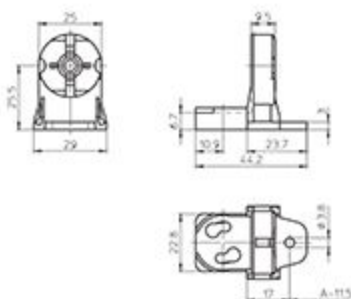
Push-in twin terminals: 0.5–1 mm<sup>2</sup>

Fixing hole:  $\varnothing$  3.8 mm

Weight: 9.5 g, unit: 500 pcs.

Type: 27822

Ref. No.: 100583



G13 surface-mounted lampholder for lamps T8

Lamp axis: 17 mm

Casing: PC, white, rotor: PBT GF, white, T130

Nominal rating: 2/250

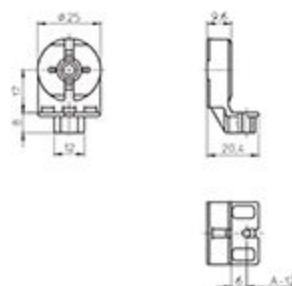
Push-in twin terminals: 0.5–1 mm<sup>2</sup>

Fixing hole for self-tapping screw  
acc. to ISO 1481/7049-ST3.5-C/F

Weight: 5.4 g, unit: 1000 pcs.

Type: 27356

Ref. No.: 100551



G13 surface-mounted lampholders

for lamps T8 and T12

Lamp axis: 25 mm, casing: PC, white, T110

Screw terminals: 0.5–2.5 mm<sup>2</sup>, nominal rating: 2/500

Bracket: zinc-coated polished steel

Fixing slots for screws M4

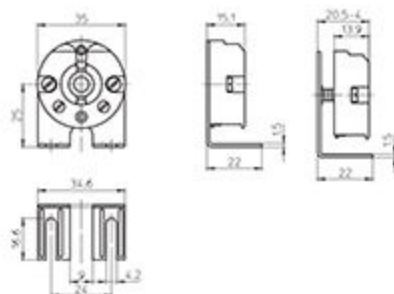
5 rotation stops

Weight: 26/28.1 g, unit: 500 pcs.

Type: 48502/48503

Ref. No.: 101791

Ref. No.: 101793 with spring adjustment



1

2

3

4

5

6

7

8

9

10

## Accessories

### For lampholders for fluorescent lamps T8 (T26), T12 (T38)

The luminaire manufacturer is responsible for the right choice of accessories.

#### Lamp supports

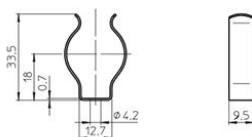
Fixing hole for screw M4

Weight: 4.3/6.8 g, unit: 500 pcs.

Type: 20400 for lamps T8

**Ref. No.: 100442**

material: zinc-coated polished steel



#### Lamp supports for lamps T8

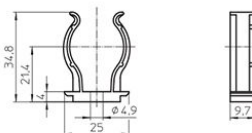
Material: PC, crystal-clear

Fixing hole for screw M4

Weight: 2 g, unit: 1000 pcs.

Type: 20501

**Ref. No.: 100448**



#### Push-fit bracket

For G13 built-in lampholder 537174, 537206

(see p. 188, 189) and starter holder 101627

and 109792 (see p. 201, 202), material: PC, white

Lamp axis optional: 46/51/56 mm

or 43 mm (lateral lamp insertion)

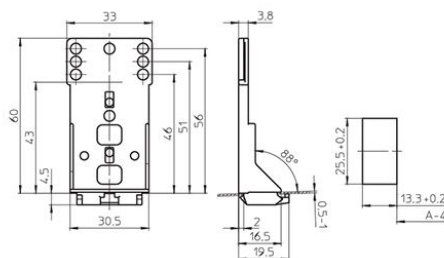
Push-fit foot for wall thickness 0.5–1 mm

Option for lateral or base wiring

Weight: 5.3 g, unit: 1000 pcs.

Type: 97532

**Ref. No.: 105843**



#### Push-fit bracket

For G13 built-in lampholder 537181, 537166,

537174 (see p. 188), 537206 (see p. 189)

Material: PC, grey

Lamp axis optional: 33/40/46/51/56

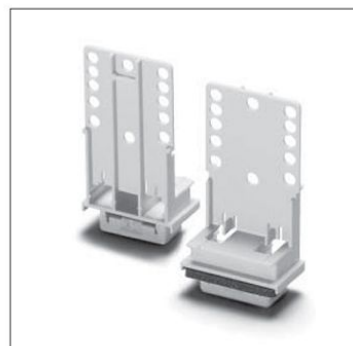
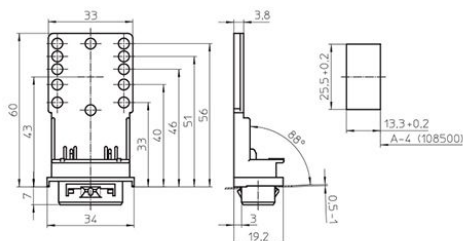
or 43 mm (lateral lamp insertion)

Push-fit foot for wall thickness 0.5–1 mm

Weight: 6 g, unit: 1000 pcs.

Type: 97044

**Ref. No.: 108780**





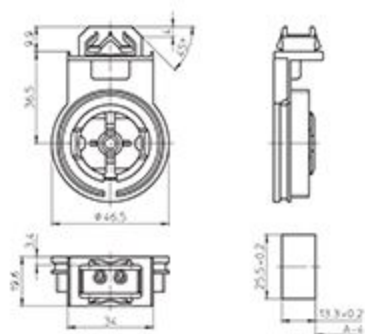
## G13 Lampholders, Degree of Protection IP54

**For fluorescent lamps T8 (T26), T12 (T38)  
For luminaires of protection class I and II**

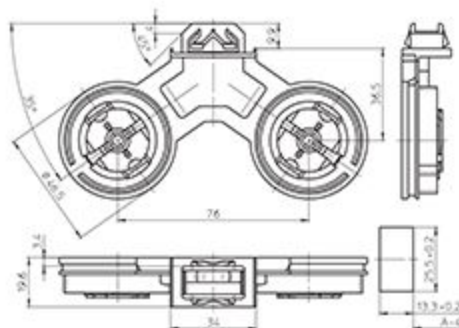
Lampholders protected against dust and  
splashing water (IP54)  
To convert luminaires from IP20 to IP54  
Pin support for reliable contact  
With spring adjustment

Max. permitted temperature  $T_m$   
on the rear side of the lampholder: 110 °C

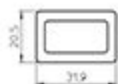
G13 push-fit lampholder for lamps T8/T12  
Casing: PC, white, interior part: PBT GF, white  
Rotor: PBT GF, white, T140  
Nominal rating: 2/500  
Push-in terminals: 0.5–1 mm<sup>2</sup>  
Fixing clips for wall thickness 0.7 mm  
Screw rings see page 197  
Weight: 17.1 g, unit: 500 pcs.  
Type: 84171 system 161  
**Ref. No.: 107957**



G13 push-fit twin lampholder for lamps T8/T12  
Casing: PC, white, interior part: PBT GF, white  
Rotor: PBT GF, white, T140  
Nominal rating: 2/500  
Push-in terminals: 0.5–1 mm<sup>2</sup>  
Fixing clips for wall thickness 0.7 mm  
Screw rings see page 197  
Weight: 33.6 g, unit: 250 pcs.  
Type: 84173 system 162  
**Ref. No.: 107959**



Food gasket for degree of protection IP54  
For lampholder systems 161, 162  
Material: EPDM, black  
Weight: 0.7 g  
Type: 98003  
**Ref. No.: 108266**



## G13 Lampholders, Degree of Protection IP65/IP67

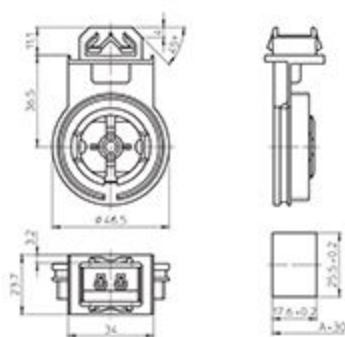
For fluorescent lamps T8 (T26), T12 (T38)  
For luminaires of protection class I and II

Lampholders protected against dust and jet of water (IP65)  
Dust and watertight lampholders (IP67)  
Pin support for reliable contact with spring adjustment

Max. permitted temperature  $T_m$   
on the rear side of the lampholder: 110 °C

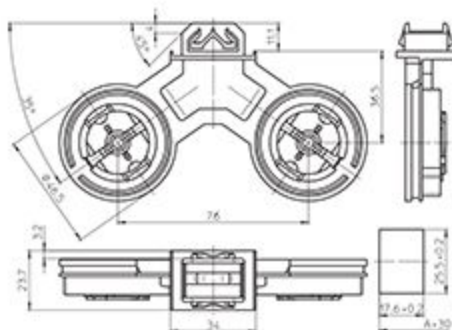
G13 push-fit lampholders for lamps T8/T12

Casing: PC, interior part: PBT GF  
Rotor: PBT GF, white, T140  
Nominal rating: 2/500  
Push-in terminals: 0.5–1 mm<sup>2</sup>  
Fixing clips for wall thickness 1.4–2 mm  
Screw rings see page 197  
Weight: 17.3 g, unit: 500 pcs.  
Type: 84172 system 163  
**Ref. No.: 107958** casing white  
**Ref. No.: 108666** casing grey



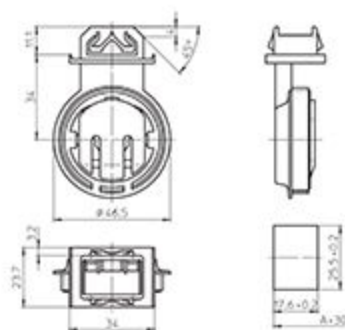
G13 push-fit twin lampholders for lamps T8/T12

Casing: PC, interior part: PBT GF  
Rotor: PBT GF, white, T140  
Nominal rating: 2/500  
Push-in terminals: 0.5–1 mm<sup>2</sup>  
Fixing clips for wall thickness 1.4–2 mm  
Screw rings see page 197  
Weight: 34.2 g, unit: 250 pcs.  
Type: 84174 system 164  
**Ref. No.: 107960** casing white  
**Ref. No.: 108669** casing grey



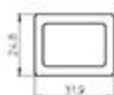
G13 push-fit lampholders for lamps T8/T12

Casing: PC, interior part: PBT GF, T140  
Nominal rating: 2/500  
Push-in terminals: 0.5–1 mm<sup>2</sup>  
Fixing clips for wall thickness 1.4–2 mm  
With slot insertion  
Screw rings see page 197  
Weight: 14.5 g, unit: 250 pcs.  
Type: 84175 system 165  
**Ref. No.: 108608** casing white  
**Ref. No.: 108614** casing grey



Foot gaskets

For lampholder systems 163, 164, 165  
Weight: 1/1.1 g  
For degree of protection IP65  
Material: cellular rubber  
Type: 98004  
**Ref. No.: 108267**  
For degree of protection IP67  
Material: silicone, transparent  
Type: 98011  
**Ref. No.: 504078**



1

2

3

4

5

6

7

8

9

10

## Lampholders and Accessories for T Lamps

Profiled foot gasket

For degree of protection IP67

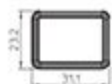
For lampholder systems 163, 164, 165

Material: EPDM, black

Weight: 1.1 g, unit: 1000 pcs.

Type: 98008

**Ref. No.: 546254**



Foot gasket, profiled shape

For degree of protection IP67

For lampholder systems 167, 168

Material: EPDM, black

Weight: 0.7 g, unit: 1000 pcs.

Type: 98087

**Ref. No.: 503773**



G13 lampholder for lamps T8/T12

Casing: PC, white, interior part: PBT GF, T140

Nominal rating: 2/500

Screw fixing foot with tapped holes M4

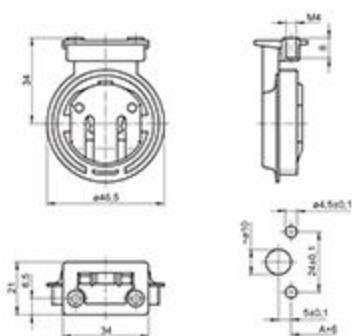
Screw rings see page 197

With slot insertion

Weight: 14 g, unit: 250 pcs.

Type: 84105 system 152

**Ref. No.: 521123**



Foot gasket for degree of protection IP65/IP67

For lampholder system 152

Material: EPDM, black

Weight: 1.4 g, unit: 1000 pcs.

Type: 98085

**Ref. No.: 106094**





## Screw Rings for G13 Lampholders, Degree of Protection IP54, IP65, IP67

For lampholder systems 152, 161, 162, 163, 164, 165

### Screw rings

Ring: PBT GF, gasket: silicone

Weight: 17/20 g, unit: 500/250 pcs.

Type: 84122 for lamps T8

**Ref. No.: 103710** white

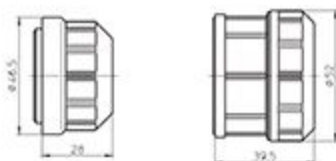
**Ref. No.: 103709** grey

Type: 84123 for lamps T12 or

for lamps T8 with protection tube  $\varnothing$  38 mm

**Ref. No.: 103712** white

**Ref. No.: 103711** grey



### Screw rings with heat dissipator

For lamps T8 with

plastic protection tube  $\varnothing$  38 mm

Ring: PBT GF

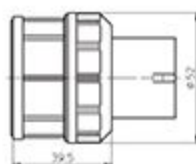
Gasket: silicone, shell: aluminium

Weight: 40 g, unit: 250 pcs.

Type: 84154

**Ref. No.: 103744** white

**Ref. No.: 103743** grey



1

2

3

4

5

6

7

8

9

10