

G8.5 Lampholders

For discharge lamps with base G8.5

Nominal rating: 2/500/5 kV
 Multipoint contacts: CuNiZn
 Fixing holes for screws M3

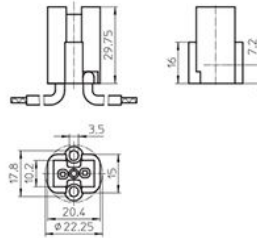
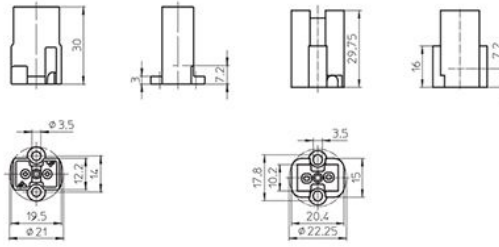
G8.5 lampholders
 Push-in terminals for stranded conductors with ferrule bare end of cores \varnothing 1.4–1.8 mm
 Type: 33600 casing: LCP, black, T260
 Weight: 5 g, unit: 1000 pcs.

Ref. No.: 502394
 Type: 33650 casing: ceramic, T300
 Weight: 12.6 g, unit: 150 pcs.

Ref. No.: 554542

G8.5 lampholder
 Casing: ceramic, T300
 Welded leads: Cu finned, stranded conductors 1 mm²,
 Si-insulation max. \varnothing 3.6 mm, length: 300 mm
 Weight: 26.4 g, unit: 100 pcs.
 Type: 33671

Ref. No.: 554543

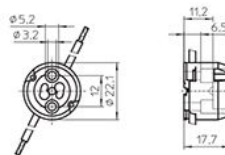
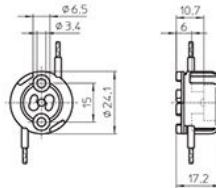


GU6.5 Lampholders

For discharge lamps with base GU6.5

Suitable for luminaries of protection class II
 Casing: ceramic, cover: PPS, T250
 Nominal rating: 2/250/5 kV
 Leads: Cu nickel-plated, stranded conductors 0.75 mm²,
 double PTFE-insulation, length: 250 mm

GU6.5 lampholders
 Weight: 13.8 g, unit: 100 pcs.
 Type: 34510 fixing holes for screws M3
Ref. No.: 547761
 Type: 34511 threaded bushes for screws M3
Ref. No.: 534220



GU6.5 lampholder
 Fixing holes for screws M3
 Identical mounting hole layout and lamp focus of the PGJ5 lampholder 34120 offer an effortless interchangeability of both lamp technologies.
 Weight: 15 g, unit: 100 pcs.
 Type: 34520

Ref. No.: 539497



1

2

3

4

5

6

7

8

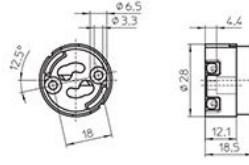
9

10

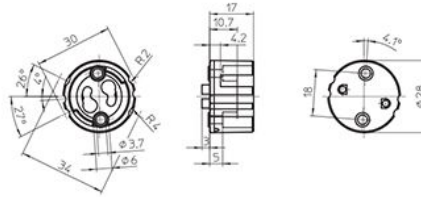
GX10 Lampholders

For discharge lamps with base GX10

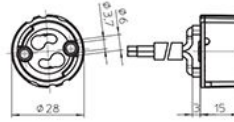
GX10 lampholder, for luminaires of protection class II
 Casing: PPS, black, T240, nominal rating: 2/250/5 kV
 Push-in twin terminals for stranded conductors with ferrule bare end of cores max. \varnothing 1.8 mm
 Fixing holes for screws M3
 Weight: 9 g, unit: 100 pcs.. Type: 31400
Ref. No.: 509356



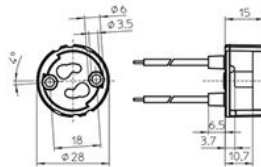
GX10 lampholder, for luminaires of protection class II
 Casing: steatite, cover plate: PPS
 T240, nominal rating: 2/500/5 kV
 Push-in terminals for stranded conductors with ferrule bare end of cores \varnothing 1.5–1.8 mm
 For leads with outer diameter: max. 3 mm
 Fixing holes for screws M3
 Weight: 14 g, unit: 100 pcs.
 Type: 31500
Ref. No.: 536469



GX10 lampholder
 Casing: steatite, cover plate: PPS
 T240, nominal rating: 2/500/5 kV
 Welded leads: 2x0.75 mm², stranded conductors, length: 400 mm
 5 kV: Cu nickel-plated, PTFE-insulation, Cu tinned, Si-insulation
 Fixing holes for screws M3
 Weight: 36.3 g, unit: 100 pcs.
 Type: 31500
Ref. No.: 549999



GX10 lampholder, for luminaires of protection class II
 Casing: steatite, cover plate: PPS
 T240, nominal rating: 2/500/5 kV
 Welded leads: Cu nickel-plated, stranded conductors 0.75 mm², double PTFE-insulation, length: 250 mm
 Fixing holes for screws M3
 Weight: 23.3 g, unit: 100 pcs.
 Type: 31530
Ref. No.: 543267



GY9.5 Lampholders

For discharge lamps with base GY9.5

GY9.5 lampholder

Casing: ceramic, cover plate: PPS, black

T240, nominal rating: 10/500/5 kV, contacts: Ni

Leads: Cu tinned, stranded conductors

5 kV: 1 mm², Si-insulation max. Ø 3.6 mm,

length: 300 mm and Cu tinned,

stranded conductors 0.75 mm², Si-insulation,

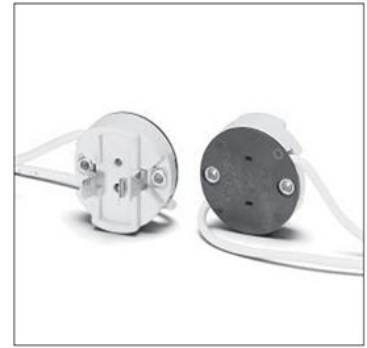
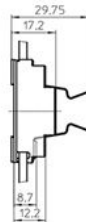
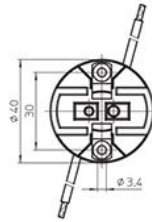
length: 300 mm

Fixing holes for screws M3

Weight: 48 g, unit: 150 pcs.

Type: 37001

Ref. No.: 533663



1

2

3

4

G12 Lampholders

For discharge lamps with base G12, GX12 and PG12

G12 lampholders

Casing: ceramic, cover plate: LCP

T250, nominal rating: 5/500/5 kV

Contacts: CrNi

Push-in terminals for leads with

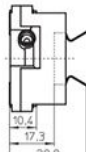
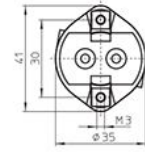
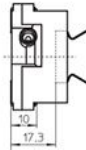
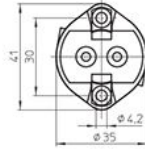
ferrule bare end of cores max. Ø 1.8 mm

Weight: 30.7 g, unit: 25 pcs.

Type: 42200/ 42210

Ref. No.: 535750 fixing holes Ø 4.2 mm

Ref. No.: 535751 threaded bushes M3



5

6

G12 lampholders

Casing: ceramic

T250, nominal rating: 5/500/5 kV

Contacts: CrNi

Welded leads: Cu tinned, stranded conductors 1 mm²

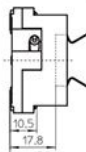
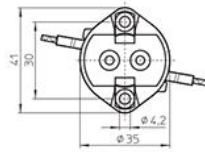
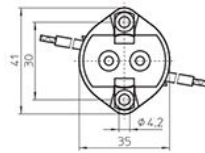
Si-insulation, white, length: 300 mm

Weight: 43/52 g, unit: 25 pcs.

Type: 42222/42242

Ref. No.: 535755 cover plate: LCP

Ref. No.: 543643 cover plate: ceramic



7

8

G12 lampholder

Casing: LCP, black

T250, nominal rating: 2/500/5 kV

Contacts: CrNi

Push-in terminals for leads with

ferrule bare end of cores max. Ø 1.8 mm

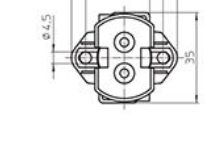
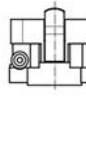
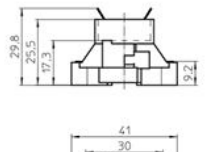
For tinned lead ends: 0.5–1 mm²

Fixing holes for screws M4

Weight: 13.6 g, unit: 250 pcs.

Type: 42000

Ref. No.: 509213



9

10

RX7s Lampholders

If the central hole on the bracket is used for fixing it has to be ensured by an additional support within the luminaire that the bracket cannot be deformed. If the lampholders are used for lamps with ignition voltage max. 20 kV the luminaire manufacturer is responsible for sufficient creepage distances and clearances.

RX7s lampholders

Contact pin: Ni, nominal rating: 2/500/5 kV
Lead: Cu tinned, stranded conductors 1 mm²,
Si-insulation max. Ø 3.6 mm, length: 300 mm
Fixing holes for screws M4

Weight: 23.3/20.1 g, unit: 25 pcs.

Type: 31662/31672 PPS, black, T220

Ref. No.: 107065 lead exit right

Ref. No.: 107066 lead exit left

Type: 31695/31696 LCP, black, T260

Ref. No.: 504416 lead exit right

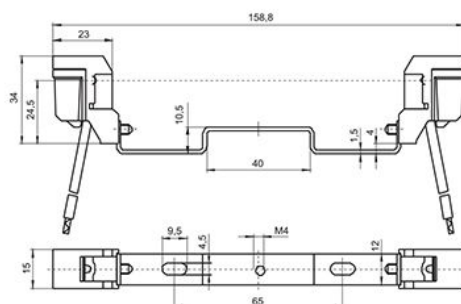
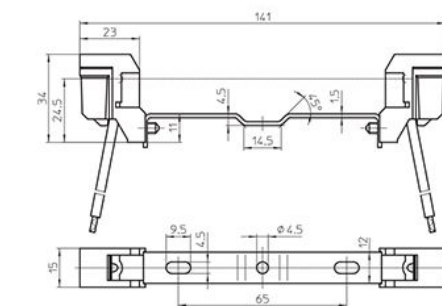
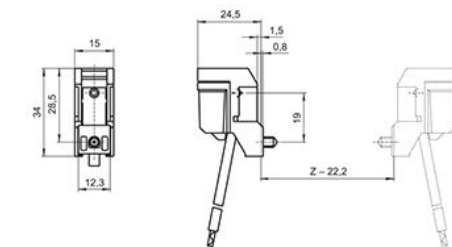
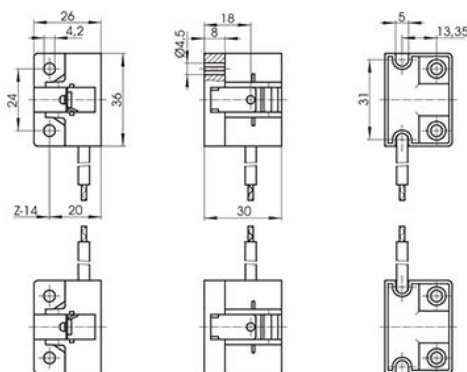
Ref. No.: 504669 lead exit left

Remark on lampholders type 323 and 343:

The luminaire design must ensure protection from electric shock as well as sufficient creepage distances and clearances from live parts on the back of lampholder.

Type 343:

With doubled insulated leads suitable for luminaires of protection class II



RX7s lampholder

Casing: PPS, black, T220

Contact pin: Cu, silver bulb

Nominal rating: 2/250/5 kV

Lead: Cu tinned, stranded conductors 1 mm²,
Si-insulation max. Ø 3.6 mm, length: 200 mm

With screw M4

Weight: 14 g, unit: 300 pcs.

Type: 34301

Ref. No.: 509117

RX7s lampholder

Casing: PPS, black, T220

Contact pin: Cu, silver bulb

Nominal rating: 2/250/5 kV

Leads: Cu tinned, stranded conductors 1 mm²,
Si-insulation max. Ø 3.6 mm, length: 200 mm

Oblong holes for screws M4

Central hole for screw M4

Other bracket versions on request

Weight: 43.8 g, unit: 200 pcs.

Type: 34311 contact distance 114.2 mm

Ref. No.: 529841

RX7s lampholder

Casing: PPS, black, T220

Contact pin: Cu, silver bulb

Nominal rating: 2/250/5 kV

Leads: Cu tinned, stranded conductors 1 mm²,
Si-insulation max. Ø 3.6 mm, length: 200 mm

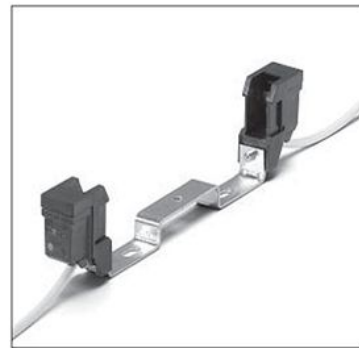
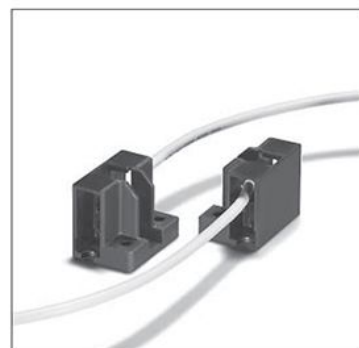
Oblong holes for screws M4

Central tapped hole M4

Weight: 47.5 g, unit: 200 pcs.

Type: 34326 contact distance: 132 mm

Ref. No.: 529845



Lampholders for Discharge Lamps

Partly enclosed RX7s lampholder

Casing: ceramic, T350

Contact pin: Cu, silver bulb

Nominal rating: 4/500/5 kV

Leads: Cu tinned, stranded conductors 1 mm²,

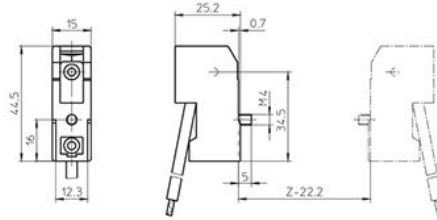
Si-insulation max. Ø 3.6 mm, length: 200 mm

Fixing screw M4

Weight: 26.2 g, unit: 300 pcs.

Type: 32301

Ref. No.: 100913



1

2

Partly enclosed RX7s lampholder

Casing: ceramic, T350

Contact pin: Cu, silver bulb

Nominal rating: 4/500/5 kV

Leads: Cu tinned, stranded conductors 1 mm²,

Si-insulation max. Ø 3.6 mm, length: 200 mm

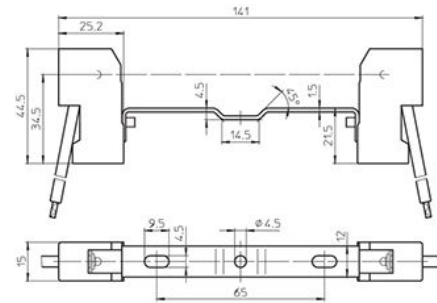
Oblong holes for screws M4

Central hole for screw M4

Weight: 74.8 g, unit: 200 pcs.

Type: 32311 contact distance: 114.2 mm

Ref. No.: 100921



3

4

Partly enclosed RX7s lampholder

Casing: ceramic, T350

Contact pin: Cu, silver bulb

Nominal rating: 4/500/5 kV

Leads: Cu tinned, stranded conductors 1 mm²,

Si-insulation max. Ø 3.6 mm, length: 200 mm

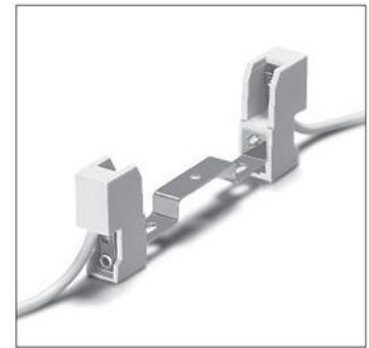
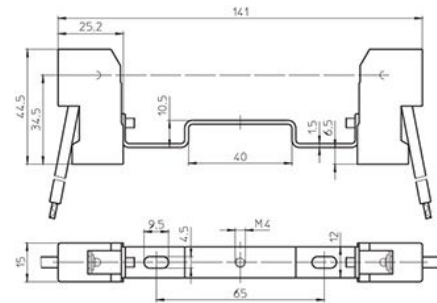
Oblong holes for screws M4

Central tapped holes M4

Weight: 76 g, unit: 200 pcs.

Type: 32321 contact distance: 114.2 mm

Ref. No.: 100922



5

6

Partly enclosed RX7s lampholder

Casing: ceramic, T350

Contact pin: Cu, silver bulb

Nominal rating: 4/500/5 kV

Leads: Cu tinned, stranded conductors 1 mm²,

Si-insulation max. Ø 3.6 mm, length: 200 mm

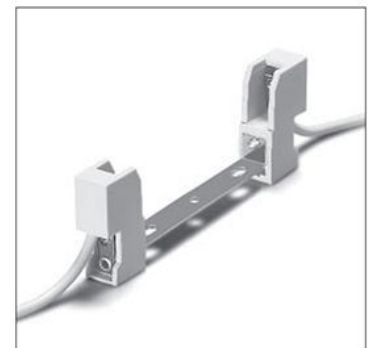
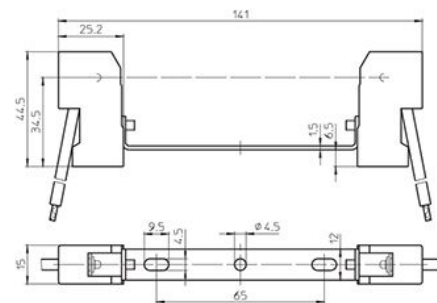
Oblong holes for screws M4

Central hole for screw M4

Weight: 74 g, unit: 200 pcs.

Type: 32341 contact distance: 114.2 mm

Ref. No.: 100932



7

8

Partly enclosed RX7s lampholder

Casing: ceramic, T350

Contact pin: Cu, silver bulb

Nominal rating: 4/500/5 kV

Leads: Cu tinned, stranded conductors 1 mm²,

Si-insulation max. Ø 3.6 mm, length: 200 mm

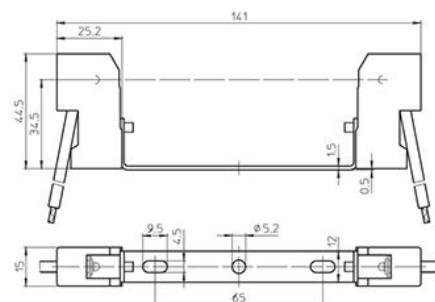
Oblong holes for screws M4

Central hole for screw M5

Weight: 75.5 g, unit: 200 pcs.

Type: 32361 contact distance: 114.2 mm

Ref. No.: 100934



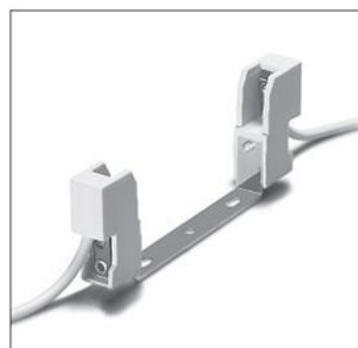
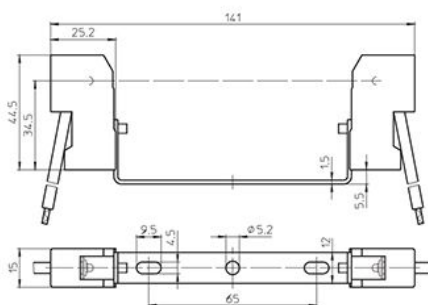
9

10

Lampholders for Discharge Lamps

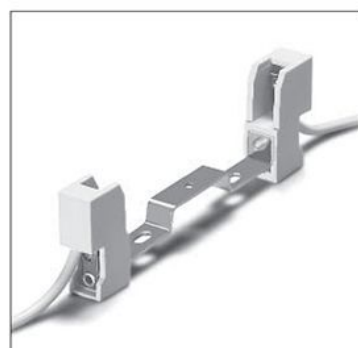
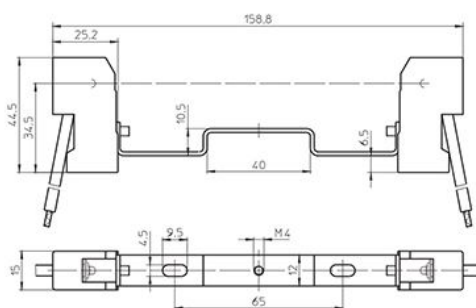
Partly enclosed RX7s lampholder

Casing: ceramic, T350
 Contact pin: Cu, silver bulb
 Nominal rating: 4/500/5 kV
 Leads: Cu tinned, stranded conductors 1 mm²,
 Si-insulation max. Ø 3.6 mm, length: 200 mm
 Oblong holes for screws M4
 Central hole for screw M5
 Weight: 76.4 g, unit: 200 pcs.
 Type: 32381 contact distance: 114.2 mm
Ref. No.: 100937



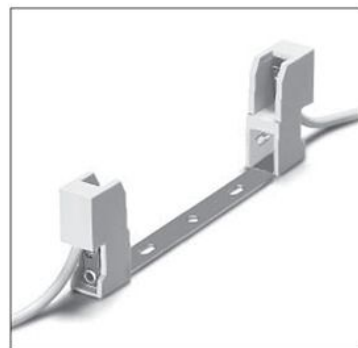
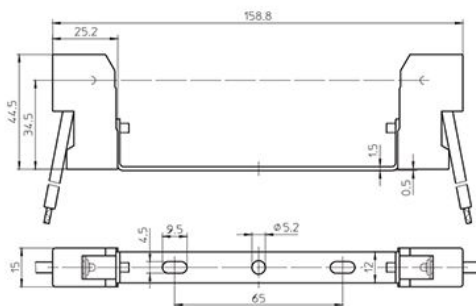
Partly enclosed RX7s lampholder

Casing: ceramic, T350
 Contact pin: Cu, silver bulb
 Nominal rating: 4/500/5 kV
 Leads: Cu tinned, stranded conductors 1 mm²,
 Si-insulation max. Ø 3.6 mm, length: 200 mm
 Oblong holes for screws M4
 Central tapped hole M4
 Weight: 78.3 g, unit: 200 pcs.
 Type: 32326 contact distance: 132 mm
Ref. No.: 100925



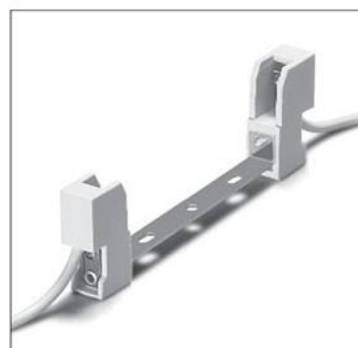
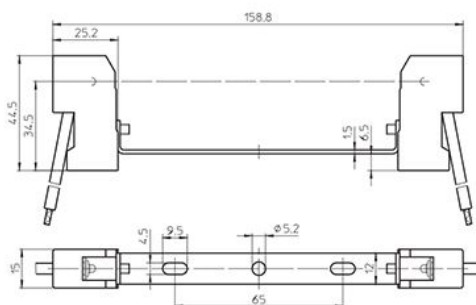
Partly enclosed RX7s lampholder

Casing: ceramic, T350
 Contact pin: Cu, silver bulb
 Nominal rating: 4/500/5 kV
 Leads: Cu tinned, stranded conductors 1 mm²,
 Si-insulation max. Ø 3.6 mm, length: 200 mm
 Oblong holes for screws M4
 Central hole for screw M5
 Weight: 77.6 g, unit: 200 pcs.
 Type: 32330 contact distance: 132 mm
Ref. No.: 100928



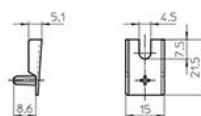
Partly enclosed RX7s lampholder

Casing: ceramic, T350
 Contact pin: Cu, silver bulb
 Nominal rating: 4/500/5 kV
 Leads: Cu tinned, stranded conductors 1 mm²,
 Si-insulation max. Ø 3.6 mm, length: 200 mm
 Oblong holes for screws M4
 Central hole for screw M5
 Weight: 75.7 g, unit: 200 pcs.
 Type: 32336 contact distance: 132 mm
Ref. No.: 100931



Protection caps for RX7s lampholders

For push-fit onto lampholders type 323
 Protection against electrical shock
 on the rear side of the lampholder
 Lampholders with assembled protection cap
 on request
 Weight: 0.7/0.6 g, unit: 1000 pcs.
 Type: 97528



Ref. No.: 507592 LCP, natural
Ref. No.: 507593 PET, white



Lampholders for Discharge Lamps

RX7s lampholder

Casing: ceramic, T250

Contact pin: Ni

Nominal rating: 10/500/5 kV

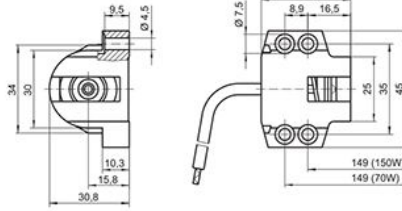
Lead: Cu tinned, stranded conductors 1 mm²,
Si-insulation max. Ø 3.6 mm, length: 300 mm

Fixing holes for screws M4

Weight: 72 g, unit: 25 pcs.

Type: 30602

Ref. No.: 100723



1

2

RX7s lampholder

Casing: ceramic, T250, contact pin: Ni

Nominal rating: 10/500/20 kV

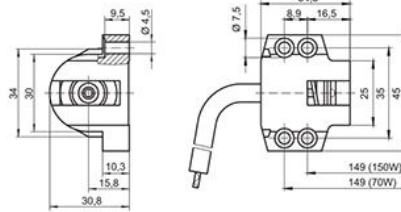
Lead: Cu tinned, stranded conductors 1 mm²,
Si-insulation with spun glass filler Ø 7 mm,
for ignition voltage: max. 20 kV,
length: 1000 mm

Fixing holes for screws M4

Weight: 120 g, unit: 25 pcs.

Type: 30620

Ref. No.: 100741



3

4

Fc2 Lampholders

For discharge lamps with base Fc2

If the lampholders are used for lamps with ignition voltage max. 20 kV the luminaire manufacturer is responsible for sufficient creepage distances and clearances.

Fc2 lampholder

Casing: ceramic, T250

Nominal rating: 10/500/5 kV

Contacts: Ni

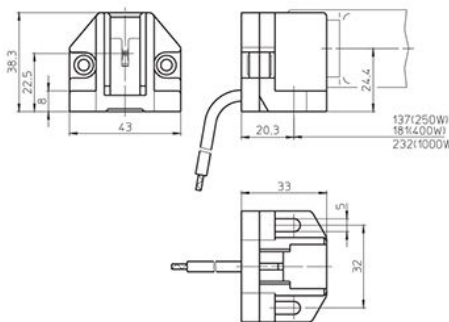
Lead: Cu tinned, stranded conductors 1 mm²,
Si-insulation max. Ø 3.6 mm, length: 300 mm

Fixing holes for screws M4

Weight: 100 g, unit: 200 pcs.

Type: 02500

Ref. No.: 108937



7

8

Fc2 lampholder

Casing: ceramic, T250

Nominal rating: 10/500/5 kV, contacts: Ni

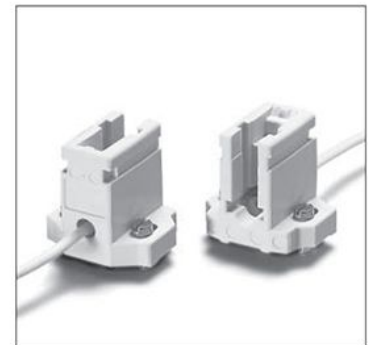
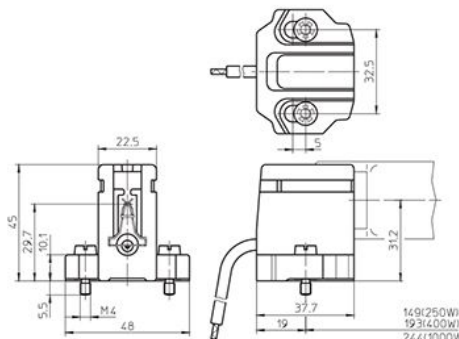
Lead: Cu tinned, stranded conductors 1 mm²,
Si-insulation max. Ø 3.6 mm, length: 300 mm

Fixing screws M4, captive

Weight: 102 g, unit: 25 pcs.

Type: 02574 rigid fixing

Ref. No.: 100096



9

10

Lampholders for Discharge Lamps

Fc2 lampholder

Casing: ceramic, T250

Nominal rating: 10/500/5 kV, contacts: Ni

Lead: Cu tinned, stranded conductors 1 mm²,

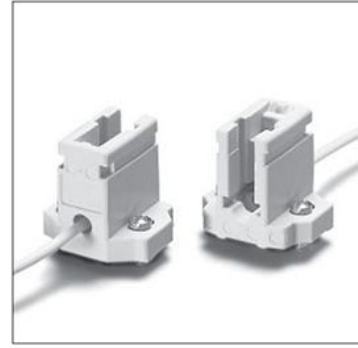
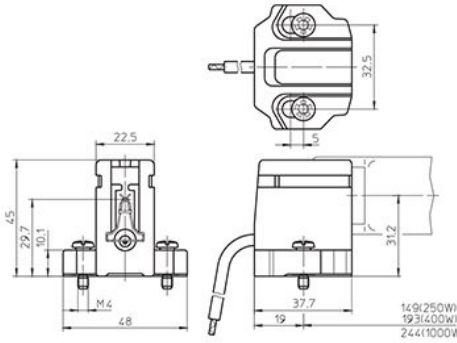
Si-insulation max. Ø 3.6 mm, length: 300 mm

Fixing screws M4, captive

Weight: 102 g, unit: 25 pcs.

Type: 02575 adjustable fixing

Ref. No.: 100098



Fc2 lampholder

Casing: ceramic, T250

Nominal rating: 10/500/20 kV, contacts: Ni

Lead: Cu tinned, stranded conductors 1 mm²,

Si-insulation with spun glass filler Ø 7 mm,

for ignition voltage: max. 20 kV,

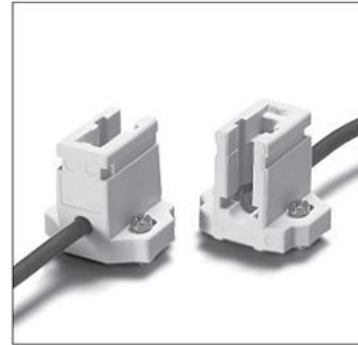
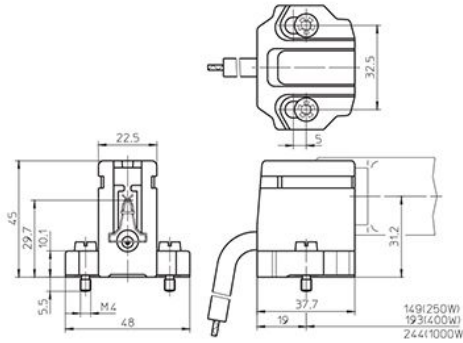
length: 500 mm

Fixing screws M4, captive

Weight: 120 g, unit: 25 pcs.

Type: 02525 rigid fixing

Ref. No.: 100082



Fc2 lampholder

Casing: ceramic, T250

Nominal rating: 10/500/20 kV, contacts: Ni

Lead: Cu tinned, stranded conductors 1 mm²,

Si-insulation with spun glass filler Ø 7 mm,

for ignition voltage: max. 20 kV,

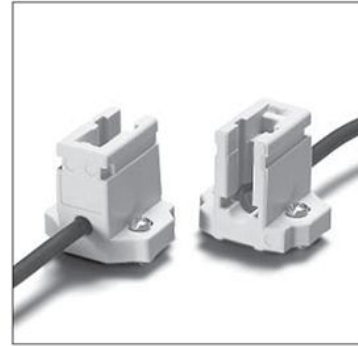
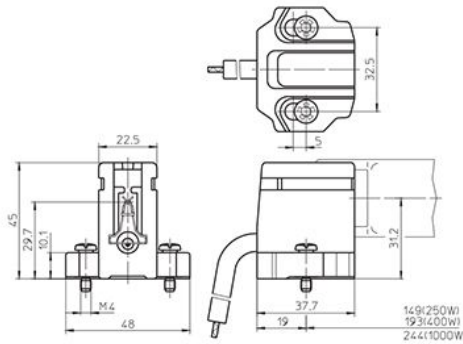
length: 500 mm

Fixing screws M4, captive

Weight: 120 g, unit: 25 pcs.

Type: 02543 adjustable fixing

Ref. No.: 100086



Lamp safety catch

For push-fit onto the lampholders 100082,

100086, 100096 and 100098

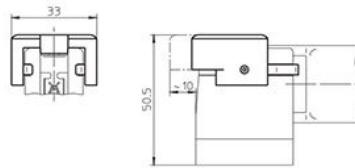
Casing: ceramic

Spring: stainless steel

Weight: 21 g, unit: 50 pcs.

Type: 86037

Ref. No.: 103818



K12x30s Lampholders

For discharge lamps with base K12x30s

K12x30s lampholders

Suitable for luminaires of protection class II

Casing: LCP, black, T150

Nominal rating: 4/500/3 kV

Contacts: CuSn6, silver plated

Leads: Cu tinned, stranded conductors 1 mm²

Si-insulation, doubled insulated

Rear recess M4, wrench size 7

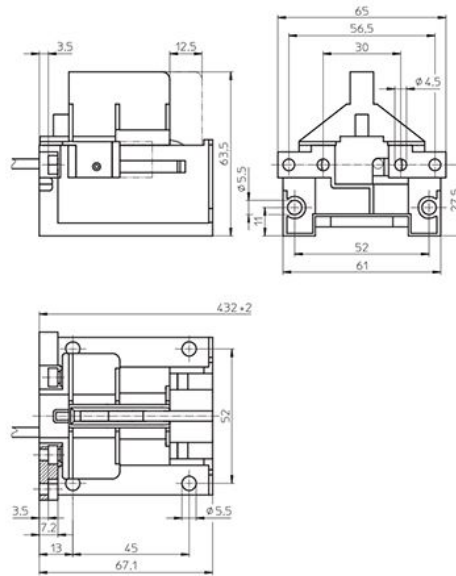
Rear and bottom fixing holes for screws M5

Weight: 75.9/61.5 g, unit: 100 pcs.

Type: 13010

Ref. No.: 532430 lead length: 705 mm

Ref. No.: 532431 lead length: 155 mm



1

2

3

4

5

6

7

8

9

10

K12s-7 Support

For metal halide lamps 1000 and 2000 W

Type Osram HQI TS and Radium HRI TS

The luminaire design must ensure protection from electric shock as well as sufficient creepage and clearance distances.

K12s-7 support

Cable connection on cable lug for lead 0.75–2.5 mm²

Casing: ceramic, T300

Support: stainless steel, heat-resistant

Oblong holes for screws M5

Weight: 70 g, unit: 25 pcs.

Type: 21100

Ref. No.: 107677

