

LED MODULES FOR MAINS VOLTAGE

DRIVER-ON-BOARD TECHNOLOGY



LEDSPOT READYLINE S / S IP54

Built-in LED modules with integrated driver for direct connection to mains voltage

With so-called Driver-on-Board technology (DoB), the control gear unit is directly integrated into the LED module, which permits direct connection to mains voltage (220-240 V, 50-60 Hz).

The built-in LED modules of the ReadyLine series are suitable for residential and furniture lighting, as a replacement for compact fluorescent downlights and for installation in reflector luminaires.

Advantages at a glance

- Direct connection to mains voltage
- Protection cover to prevent electrical shock
- More flexible space-saving luminaire designs due to absence of driver
- Direct replacement for conventional lamps in existing luminaires
- High power factor: > 0.9
- Long service life: up to 50,000 hours

Typical applications

- Replacement for compact fluorescent lamps
- Integration in luminaires
- Residential lighting
- Architectural lighting
- Retail lighting
- Furniture lighting



LED Modules ReadyLine S

Built-in LED modules with integrated driver for direct connection to mains voltage

Technical notes

Mains voltage: 220-240 V, 50/60 Hz

Power factor: > 0.97

Dimensions:

with heat sink 155x41x32.8 mm

without heat sink 132x37.4x9.25 mm

Aluminium PCB for optimum thermal management

Heat sink made of thermoconductive resin

Protection cover: PC, UV-glued

or rivetted (module with heat sink)

Push-in terminals with push-button:

0.2-0.75 mm² (24-18AWG)

Fixation for modules

with heat sink: fixing holes for screws M4

or self-tapping screws 3.9

with cover: fixing holes for screws M3

or self-tapping screws 2.9

For luminaires of protection class II, RFI suppressed

Weight: 35/140 g (without/with heat sink)

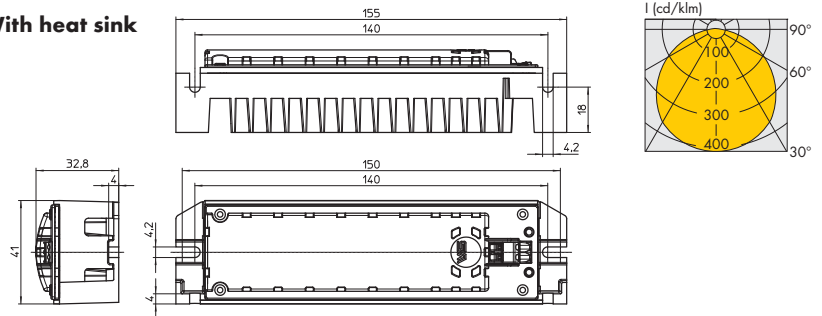
Packaging unit: 80/40 pcs. (without/with heat sink)

Typical applications

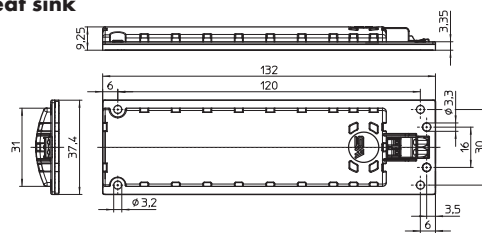
- Replacement for compact fluorescent lamps
- Integration in luminaires
- Residential lighting
- Architectural lighting
- Retail lighting
- Furniture lighting



With heat sink



Without heat sink



Max. output W	Type	Ref. No.		Voltage AC 50/60 Hz V	Number of LEDs pcs.	Colour	Correlated colour temperature K	Cover	Luminous flux lm		CRI R _a	Energy efficiency	
		with heat sink	without heat sink						min.	typ.			
8.7	LUT33	559522	559526	220-240	21	warm white	2600...2900	clear	590	650	> 80	A+	
	LUT33	559523	559527						diffuse	480	530	> 80	A
	LUT33	550439	550441	220-240	21	warm white	2900...3200	clear	720	780	> 80	A+	
	LUT33	551983	551989						diffuse	610	660	> 80	A+
	LUT33	551984	551990	220-240	21	neutral white	3700...4200	clear	740	800	> 80	A+	
	LUT33	551985	551991						diffuse	630	680	> 80	A+
13	LUT33	559524	559030	220-240	30	warm white	2600...2900	clear	910	940	> 80	A+	
	LUT33	559525	559528						diffuse	780	800	> 80	A
	LUT33	550438	550440	220-240	30	warm white	2900...3200	clear	1100	1190	> 80	A+	
	LUT33	551986	551992						diffuse	935	1010	> 80	A+
	LUT33	551987	551993	220-240	30	neutral white	3700...4200	clear	1140	1210	> 80	A+	
	LUT33	551988	551994						diffuse	955	1030	> 80	A+
Accessories		Description						Tape thickness	Thermal conductivity		Breakdown voltage*		
-	-	552039	Cord grip with 2 screws for LED modules with heat sink						-	-		-	
-	-	555009	Thermally conductive adhesive transfer tape 132x38 mm						0.25 mm	0.8 W/mK		5.5 kV	
-	-	553427	Thermally conductive transfer tape, non-adhesive 136x36 mm						0.25 mm	2 W/mK		3 kV	
-	-	555008**	Thermally conductive transfer tape, adhesive on both sides 136x42 mm						0.19 mm	0.9 W/mK		10.3 kV	

* Average value (not for specification purpose) | ** For use in luminaires of protection class I (has to be tested in luminaire)

The values contained in this data sheet can change due to technical innovations. Any such changes will be made without separate notification.

LED Modules ReadyLine S IP54

Built-in LED modules with integrated driver for direct connection to mains voltage

Technical notes

Mains voltage: 220-240 V, 50/60 Hz

Power factor: > 0.97

Dimensions:

with heat sink 155x41x34.25 mm

without heat sink 132x37.4x10.5 mm

Aluminium PCB for optimum thermal management

Heat sink made of thermoconductive resin

Protection cover: PC, UV-glued

or rivetted (module with heat sink)

Leads: Cu tinned, stranded conductors 0.5 mm²,

double FEP/FEP-insulation, length: 300 mm

Fixation for modules

with heat sink: fixing holes for screws M4

or self-tapping screws 3.9

with cover: fixing holes for screws M3

or self-tapping screws 2.9

For luminaires of protection class II, RFI suppressed

Degree of protection: IP54

Weight: 35/140 g (without/with heat sink)

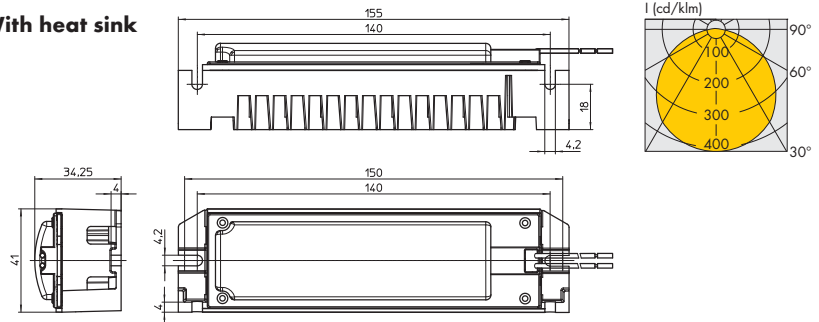
Packaging unit: 80/40 pcs. (without/with heat sink)

Typical applications

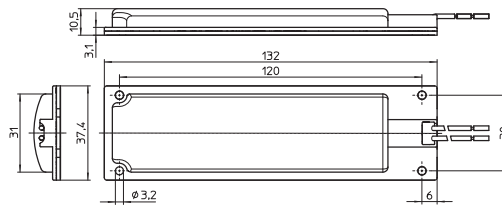
- Replacement for compact fluorescent lamps
- Integration in luminaires
- Residential lighting
- Architectural lighting
- Retail lighting
- Furniture lighting



With heat sink



Without heat sink



Max. output W	Type	Ref. No.		Voltage AC 50/60 Hz V	Number of LEDs pcs.	Colour	Correlated colour temperature K	Cover	Luminous flux lm		CRI R _a	Energy efficiency	
		with heat sink	without heat sink						min.	typ.			
8.7	LUT33	559529	559533	220-240	21	warm white	2600...2900	clear	590	650	> 80	A+	
	LUT33	559530	559534						480	530	> 80	A	
	LUT33	556749	556741	220-240	21	warm white	2900...3200	clear	720	780	> 80	A+	
	LUT33	556750	556742						610	660	> 80	A+	
	LUT33	556751	556743	220-240	21	neutral white	3700...4200	clear	740	800	> 80	A+	
	LUT33	556752	556744						630	680	> 80	A+	
13	LUT33	559531	559535	220-240	30	warm white	2600...2900	clear	910	940	> 80	A+	
	LUT33	559532	559536						780	800	> 80	A	
	LUT33	555875	556745	220-240	30	warm white	2900...3200	clear	1100	1190	> 80	A+	
	LUT33	556753	556746						935	1010	> 80	A+	
	LUT33	556755	556747	220-240	30	neutral white	3700...4200	clear	1140	1210	> 80	A+	
	LUT33	556756	556748						955	1030	> 80	A+	
Accessories		Description						Tape thickness	Thermal conductivity		Breakdown voltage*		
-	-	552039	Cord grip with 2 screws for LED modules with heat sink						-	-		-	
-	-	555009	Thermally conductive adhesive transfer tape 132x38 mm						0.25 mm	0.8 W/mK		5.5 kV	
-	-	553427	Thermally conductive transfer tape, non-adhesive 136x36 mm						0.25 mm	2 W/mK		3 kV	
-	-	555008**	Thermally conductive transfer tape, adhesive on both sides 136x42 mm						0.19 mm	0.9 W/mK		10.3 kV	

* Average value (not for specification purpose) | ** For use in luminaires of protection class I (has to be tested in luminaire)

The values contained in this data sheet can change due to technical innovations. Any such changes will be made without separate notification.